





DMP Electronics Inc.

8F, No 12, Wu-Quan 7 Rd., Wu Gu Industrial Park  
Wu Gu Xiang, Taipei 248, Taiwan R.O.C.  
TEL: 886 2 2298 0770 FAX: 886 2 2290 2335  
<http://www.compactpc.com.tw>

## DMP unveils VIA Eden ULV based eBox Mini PC

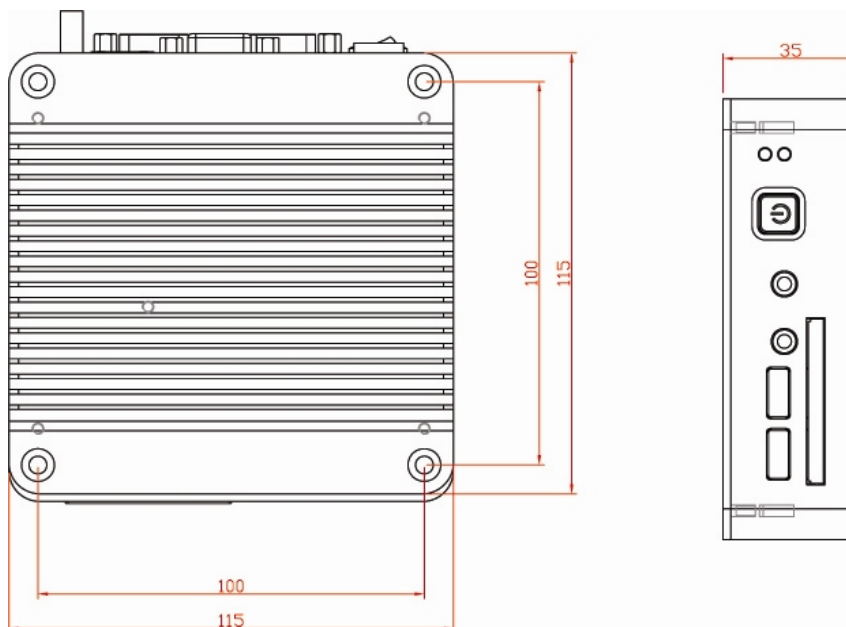
	<b>Features</b> <ul style="list-style-type: none"><li>Fanless Design</li><li>VESA mounting support</li><li>VIA Eden ULV 500MHz</li><li>512MB DDR2</li><li>10/100Mbps LAN</li><li>CF Slot</li><li>3 x USB 2.0 ports (2 on front)</li><li>Mini PCI Socket (opt.)</li><li>Wireless LAN (opt.)</li><li>2 x RS-232 ports (opt.)</li><li>Support 2.5 inch HDD installation</li></ul>
	

DMP Electronics Inc (DM&P Group) unveils the eBox-4 series: their exquisite new embedded system range. The new generation product is introduced by DMP which was based on their strong commitment to the eBox.

The eBox-4300 is a compact and Fanless Embedded PC designed for applications where physical space and temperature are limited or a concern. It can be mounted on any VESA standard fixture allowing it to be secured to desks and other surfaces. Also, it can be mounted to the back of any LCD monitor creating a mobile presentation system, saving space in a work environment.

The new product intergrades the VIA Eden Ultra Low Power 500MHz CPU and VIA CX700M chipset featuring hardware including the VIA UniChrome™ Pro Integrated Graphics Processor (IGP) ensuring optimal performance with 2D/3D graphics engine, feature dedicated 128-bit data paths and MPEG-2 / MPEG-4 and WMV9 Decoder. It also has onboard 512MB DDR2 RAM. Furthermore, its high bandwidth connection is supported by USB 2.0 connections and 10/100 Ethernet.

The series is not only fully compatible with the Microsoft® Windows desktop series and Linux O/S but furthermore for all embedded operating systems such as Windows XP Embedded. It can broadly be applied to embedded applications such as Thin Clients, POS, KIOSK, network devices and industrial applications.



DMP Electronics Inc  
Email: [info@compactpc.com.tw](mailto:info@compactpc.com.tw)  
<http://www.compactpc.com.tw>



## Specification

<b>System</b>	
CPU	VIA Eden ULV 500MHz
BIOS	AMI BIOS
System Chipset	VIA CX700M
I/O Chip	Winbond W83697
System Memory	Onboard 512MB DDR2
<b>I/O</b>	
MIO	1 x EIDE (UltraDMA 133) 1 x Type I/II CF Slot 1 x PS/2 K/B & Mouse *2 x RS-232 *1 x Mini PCI sockets
USB	3 x USB 2.0 Ports (Two in front)
<b>Display</b>	
I/O	VGA
Chipset	Integrated VIA UniChrome Pro II, 2D/3D Graphics with MPEG2 and MPEG4 Decoding Accelerator
Display Memory	8/16/32/64/128 MB share system memory
Display Resolution	Up to 1920 x 1440
<b>Audio</b>	
AC97 2.2 (Codec)	VIA Vinyl VT1708
Audio Interface	Mic In, Line out
<b>Ethernet</b>	
Chipset	Realtek RTL8100B 10/100 Base-T Ethernet
Remote Boot ROM	built-in boot ROM function
<b>Mechanical &amp; Environment</b>	
Power Requirement	+5V @ 3A
Operating Temp.	0 ~ 60 °C (32 – 140 °F)
Operating Humidity	0% - 90% relative humidity, non-condensing
Size (W x H x D)	115*115*35 mm
Weight	505g

Note: The specification is subject to change without prior notice.

### Ordering Information:

eBox-4300: Standard Version

eBox-4300-H: Standard Version with support for 2.5" HDD

eBox-4300-M: Standard Version with Mini PCI Socket

eBox-4300-JSK: Standard Version with Mini PCI Socket, 2 x RS-232