

# PPC-090T

## FEATURES

- 9" TFT LCD with Resistive Touchscreen
- DM&P Processor 1GHz Onboard
- 512MB / 1GB System Memory Onboard
- Compact Flash Type I/II / SD Slot / SATA
- Fanless and Low Power Consumption
- Metal Chassis with Compact Design



## SPECIFICATION

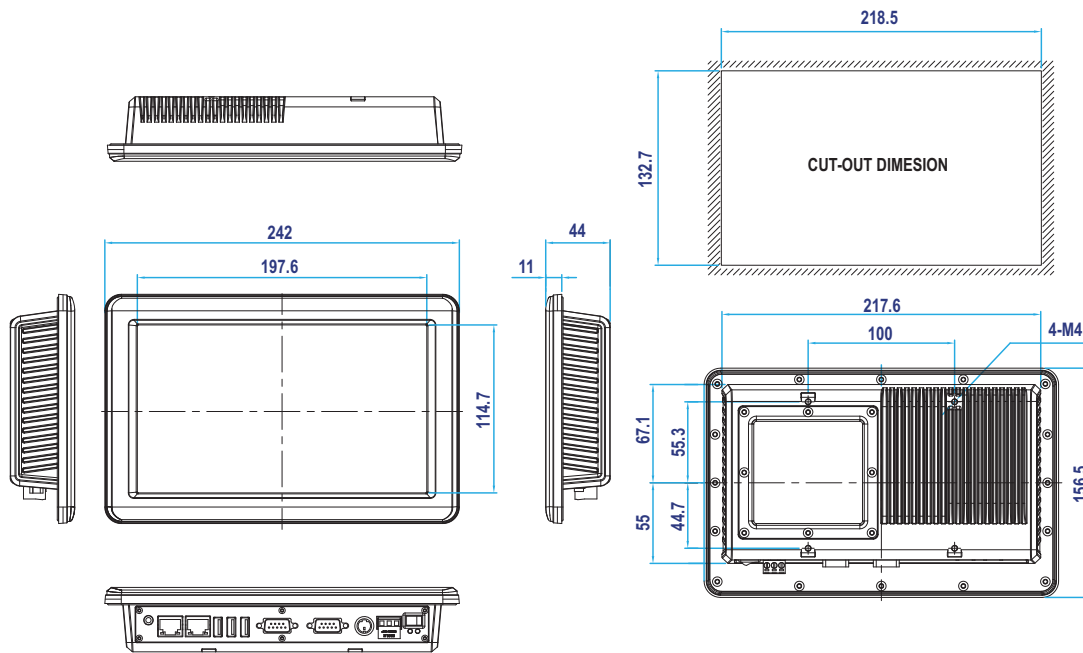
### SPECIFICATION \ MODEL

### PPC-090T

LCD Display	Type	WSVGA TFT LCD
	Size	9"
	Resolution (Pixel)	1024x600
	Colors	262,144
	View Angle	Angle Vertical 140°, Horizontal 160°
	Brightness	300 cd/m <sup>2</sup>
	Backlight life	25,000 hrs
	Contrast Ratio	500:1
CPU	DM&P Vortex86DX2 933MHz	
Cache	L1: 16KB I-Cache, 16KB D-Cache L2:256KB Cache	
Memory	512MB / 1GB Memory Onboard	
Watchdog Timer	Software Programmable from 30.5u to 512 Seconds x 2 Sets	
Serial Port	RS-232 / 422 / 485 x 2	
USB Ports	USB Ports (Version 2.0) x 3	
Ethernet	Integrated 10/100Mbps Ethernet / Giga Ethernet (Optional)	
Audio	HD Audio-Realtek ALC262 CODEC	
Internal Drives	Compact Flash Type I/II Slot, SD Slot, SATA	
Touch Screen Type	Analog Resistive	
Expansion Slot	Wi-Fi Optional	
Power Requirement	+12VDC / +24VDC	
Power Consumption	+24VDC@ 1A	
Operating Temperature	0 ~ +50°C (+32 ~ +122°F) / -20°C~+60°C (-4 ~ +140°F)	
Storage Temperature	-30 ~ +70 °C (-22 ~ +158 °F)	
Operating Humidity	0% ~ 90% Relative Humidity, Non-Condensing	
Operating System	DOS, Linux, Windows CE, Windows XP	
Dimensions	242x156.5x44mm (9.68"x6.26"x1.76")	
Weight	3.0 kg	
Certificate	CE, FCC, VCCI, Vibration, IP65 (Front Panel)	

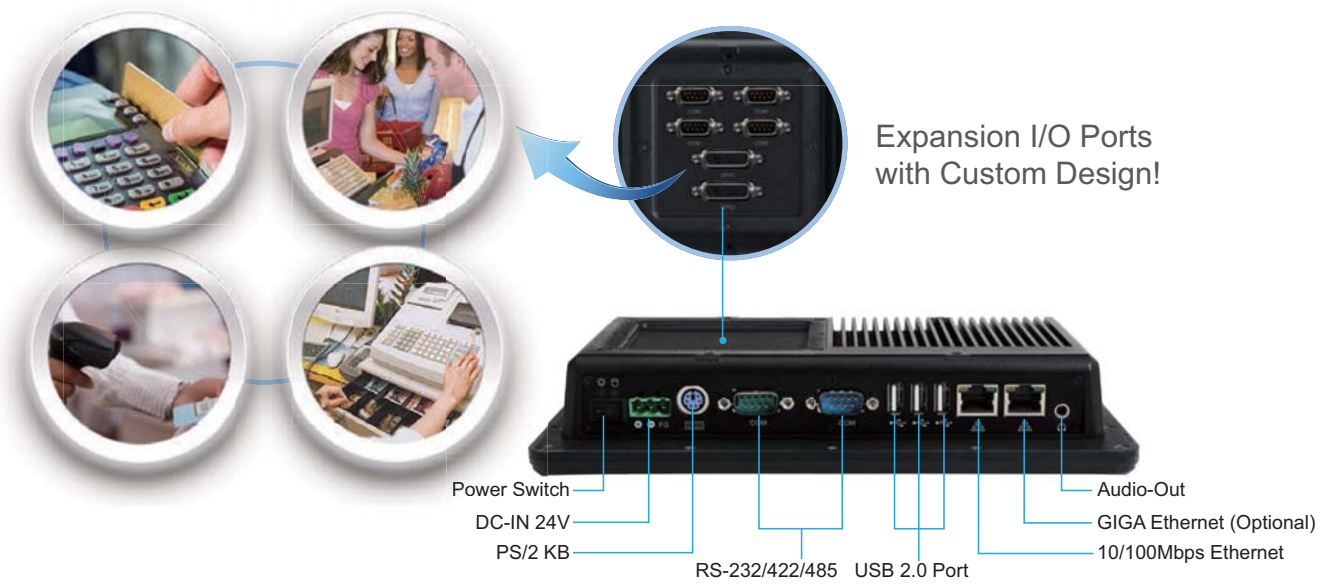


## DIMENSIONS



Unit: mm

## I/O VIEW



## ORDERING INFORMATION

### PPC-090T-D2N

9" Panel PC w/1GB Memory / 3USB / AUDIO / LAN / 2COM / DC12~24V

### PPC-090T-D2N-GE

9" Panel PC w/1GB Memory / 3USB / AUDIO / LAN / GIGA LAN / 2COM / DC12~24V

### PPC-090T-D2W

9" Panel PC w/1GB Memory / 3USB / AUDIO / LAN / 2COM / DC12~24V / Wide Temp

### PPC-090T-D2W-GE

9" Panel PC w/1GB Memory / 3USB / AUDIO / LAN / GIGA LAN / 2COM / DC12~24V / Wide Temp

