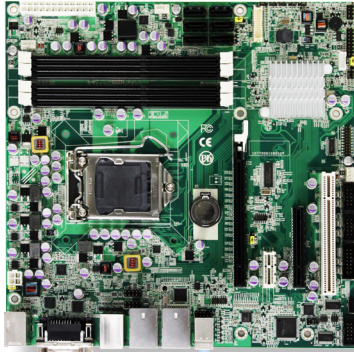


MB-i77Q0

2nd/3rd Generation Intel® Core™ Processor Embedded Micro-ATX Motherboard



Features

- 2nd/3rd Generation Intel® Core™ Processor supported
- Dual Gigabit Ethernet Ports
- Dual Independent Displays
- DVI-I, DVI-D and Dual Channels 24-bit LVDS (for Windows 7 only)
- RS-485 Auto-flow Control supported
- Intel® iAMT 8.0 supported
- RAID 0, 1, 5, 10 supported
- USB 3.0 supported

System

Processor	2 nd /3 rd Generation Intel® Core™ i7/i5/i3, Pentium®/ Celeron® Processor (Socket LGA1155)
Chipset	Intel® PCH Q77
Memory	4 x DDR3 Long-DIMM socket, supporting up to 32GB 1066MT/s SDRAM
BIOS	AMI BIOS
Watchdog Timer	1~255 levels reset

I/O

Super IO Chipset	Fintek F71869ED + F81216
Serial Port	3 x RS-232 1 x RS-232/422/485 selectable
Keyboard & Mouse	6-pin wafer connector for PS/2 keyboard/ mouse via Y-cable
USB 2.0	10 x USB 2.0 ports
USB 3.0/2.0	4 x USB 3.0/2.0 ports
Expansion	1 x PCI slot, 1 x PCIe x16 slot, 1 x PCIe x4 in x8 slot, 1 x PCIe x1 slot
Storage	4 x Serial ATA ports with 300MB/s HDD transfer rate 2 x Serial ATA ports with 600MB/s HDD transfer rate
Ethernet Chipset	1 x Intel® 82579LM PCIe GbE PHY (iAMT 8.0 supported) 1 x Intel® 82583V PCIe GbE controller
Digital I/O	16-bit Digital I/O, 8-in & 8-out
Audio Interface	Realtek® ALC886 7.1 Channel HD Audio CODEC, Mic-in/ Line-in/ Line-out

Display

Graphic Chipset	Integrated Intel® HD Graphics depends on CPU: 2 nd Gen. Core: HD Graphics 2000 3 rd Gen. Core: HD Graphics 2500 (i5/i3)/ 4000 (i7)
Graphic Interface	Dual DVI connectors LVDS: Dual Channels 24-bit LVDS

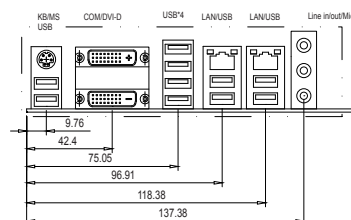
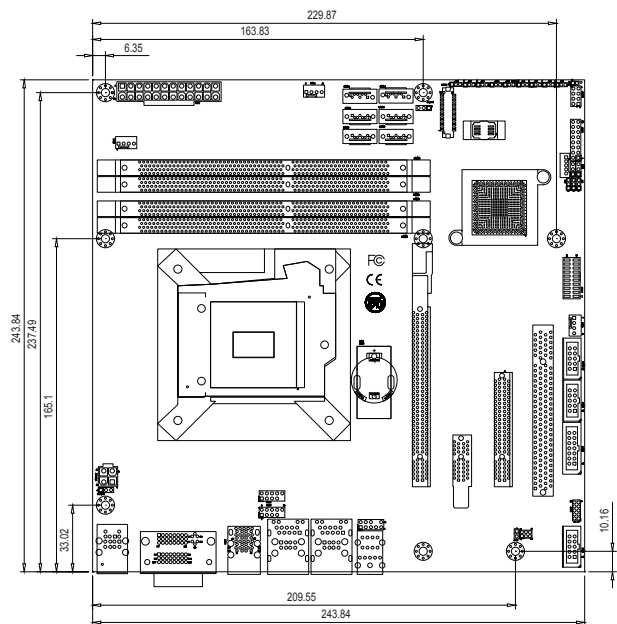
OS Support

Windows XP 32-bit
Windows 7 32/64-bit

Mechanical & Environmental

Power Input	24-pin + 4-pin ATX power connector
Power Consumption	6.5A@+12V, 1.8A@+3.3V, 3.8A@+5V with i7-3770 (Typical)
Operating Temp.	0 ~ 60°C (32 ~ 140°F)
Operating Humidity	10 ~ 95% @ 60°C (non-condensing)
Dimension (L x W)	244 x 244 mm (9.6" x 9.6")

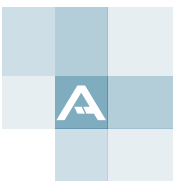
Dimensions



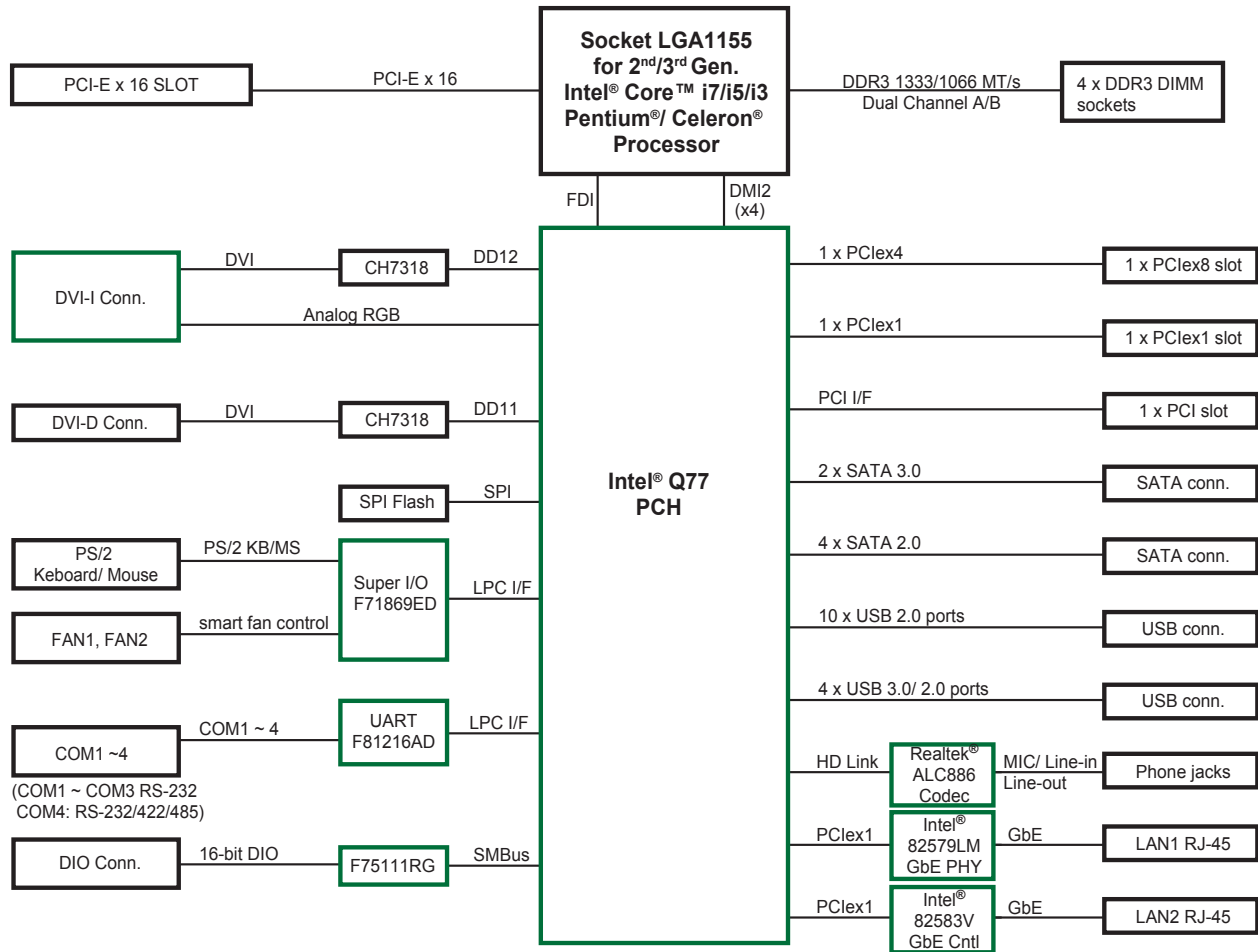
Unit: mm

Recommended CPU List:

i7-3770 Quad-Core 3.4GHz	i3-3220 Dual-Core 3.3GHz	i5-2400 Quad-Core 3.1GHz	Pentium® G850 DC 2.9GHz
i5-3550S Quad-Core 3.0GHz	i7-2600 Quad-Core 3.4GHz	i3-2120 Dual-Core 3.3GHz	Celeron® G540 DC 2.5GHz



Block Diagram



Ordering Information

MB-i77Q0	Socket LGA1155 for 2 nd /3 rd Generation Intel® Core™ processor i7/ i5/ i3, Pentium/ Celeron/ Q77 micro ATX motherboard
----------	---

Optional Accessories

CPF-67Q0-C1	CPU cooler for Intel® LGA1155/1156 processor
CBK-11-77Q0-00	Cable kit 1 x Two-serial-port cable 2 x USB cables 6 x SATA cables 2 x Serial port cables