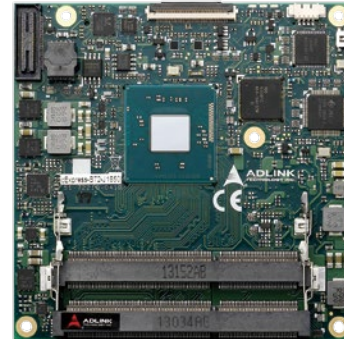


cExpress-BT2

COM Express[®] Compact Size Type 2 Module with
 Intel[®] Atom[™] E3800 series or Celeron[®] Processor SoC

Features

- Single, dual, quad-core Intel[®] Atom[™] or Celeron[®] Processor SoC
- Up to 8GB Dual Channel DDR3L at 1333MHz
- VGA and dual channel 18/24-bit LVDS
- Two PCIe x1, and 32-bit PCI bus
- GbE, one SATA 3Gb/s, one PATA IDE, seven USB 2.0
- Supports Smart Embedded Management Agent (SEMA[®]) functions
- Extreme Rugged operating temperature: -40°C to +85°C (build option)



Specifications

Core System

CPU

Single, dual, quad-core Intel[®] Atom[™] or Celeron[®] Processor

Atom[™] E3845 1.91 GHz 542/792 Gfx (Turbo) 10W

Atom[™] E3827 1.75 GHz 542/792 Gfx (Turbo) 8W

Atom[™] E3826 1.46 GHz 533/667 Gfx (Turbo) 7W

Atom[™] E3825 1.33 GHz 533 Gfx (No Turbo) 6W

Atom[™] E3815 1.46 GHz 400 Gfx (No Turbo) 5W

Celeron[®] N2930 1.83 GHz, 400/756 Gfx (Turbo) 7.5W

Celeron[®] J1900 2 GHz, 688/792 Gfx (Turbo) 10W

Supports: Single, dual or quad Out-of-Order Execution (OOE) processor cores, Intel[®] VT-x, Intel[®] SSE4.1 and SSE4.2, Intel[®] 64 architecture, IA 32-bit, PCLMULQDQ Instruction DRNG, Intel[®] Thermal Monitor (TM1 & TM2)

Note: Availability of features may vary between processor SKUs.

Memory

Dual channel non-ECC 1333/1066 MHz DDR3L memory up to 8GB in dual stacked SODIMM sockets

Embedded BIOS

AMI EFI with CMOS backup in 8MB SPI BIOS

Cache

Primary 32 KB, 8-way L1 instruction cache and 24 KB, 6-way L1 write-back data cache

2MB for E3845, N2920 and J1900

1MB for E3827, E3826 and E3825

512K for E3815

Expansion Busses

2 PCI Express x1 Gen 2 (AB): lanes 0/1

PCI Bus 33 MHz Rev. 2.3

LPC bus, SMBus (system), I2C (user)

SEMA Board Controller

Supports: Voltage/Current monitoring, Power sequence debug support, AT/ATX mode control, Logistics and Forensic information, Flat Panel Control, General Purpose I2C, Failsafe BIOS (dual BIOS), Watchdog Timer and Fan Control

Debug Headers

40-pin multipurpose flat cable connector

Use in combination with DB-40 debug module providing BIOS POST code LED, BMC access, SPI BIOS flashing, power test points, debug LEDs

60-pin XDP header for ICE debug of CPU/chipset

Video

GPU Feature Support

7th Gen Intel[®] graphics core architecture with four execution units supporting two independent displays

3D graphics hardware acceleration

Supports for DirectX 11, OpenCL 1.1, OpenGL ES Haili/2.0/1.1, OGL 3.2

Video decode hardware acceleration including support for H.264, MPEG2, MVC, VC-1, WMV9 and VP8 formats

Video encode hardware acceleration including support for H.264, MPEG2 and MVC formats

VGA

Analog VGA supporting resolutions of up to 2560 x 1600 x 24bpp @60

LVDS

Single/dual channel 18/24-bit LVDS from eDP (two lanes)

Audio

Chipset

Intel[®] HD Audio integrated in SOC

Audio Codec

Located on carrier Express-BASE

Ethernet

Intel[®] MAC/PHY: Intel[®] i210LM (MAC/PHY) Ethernet controller

Interface: 10/100/1000 GbE connection

Specifications

• I/O Interfaces

USB: 7x USB 1.1/2.0 (port 3~6 from USB hub)
SATA: One SATA 3 Gb/s ports (build option 2 ports: lose PATA)
PATA: Single PATA IDE (Master only) through SATA to PATA IC.
eMMC: Build option soldered on-module bootable eMMC flash storage
8 to 32GB, eMMC feature may vary between OS
GPIO: 4 GPO and 4 GPI

• Super I/O

On carrier if needed (standard support for W83627DHG-P)

• TPM

Chipset: Atmel AT97SC3204 (build option)
Type: TPM 1.2

• Power

Standard Input: ATX = 12V±5% / 5Vsb ±5% or AT = 12V±5%
Wide Input: ATX = 5~20 V / 5Vsb ±5% or AT = 5~20V
Management: ACPI 4.0 compliant, Smart Battery support
Power States: C0, C1, C1E, C4, C6 S0, S3, S4, S5 (Wake on USB S3/S4, WOL S3/S4/S5)
ECO mode: Supports deep S5 (ECO mode) for power saving

• Mechanical and Environmental

Specification: PICMG COM.0: Rev 2.1 Type 2
Form Factor: Compact size: 95 mm x 95 mm

Operating Temperature

Standard: 0°C to +60°C
Extreme Rugged™: -40°C to +85°C (build option, Atom™ E38xx series only)

Humidity

5-90% RH operating, non-condensing
5-95% RH storage (and operating with conformal coating)

Shock and Vibration

IEC 60068-2-64 and IEC-60068-2-27
MIL-STD-202F, Method 213B, Table 213-I, Condition A and Method 214A, Table 214-I, Condition D

HALT

Thermal Stress, Vibration Stress, Thermal Shock and Combined Test

• Operating Systems

Standard Support

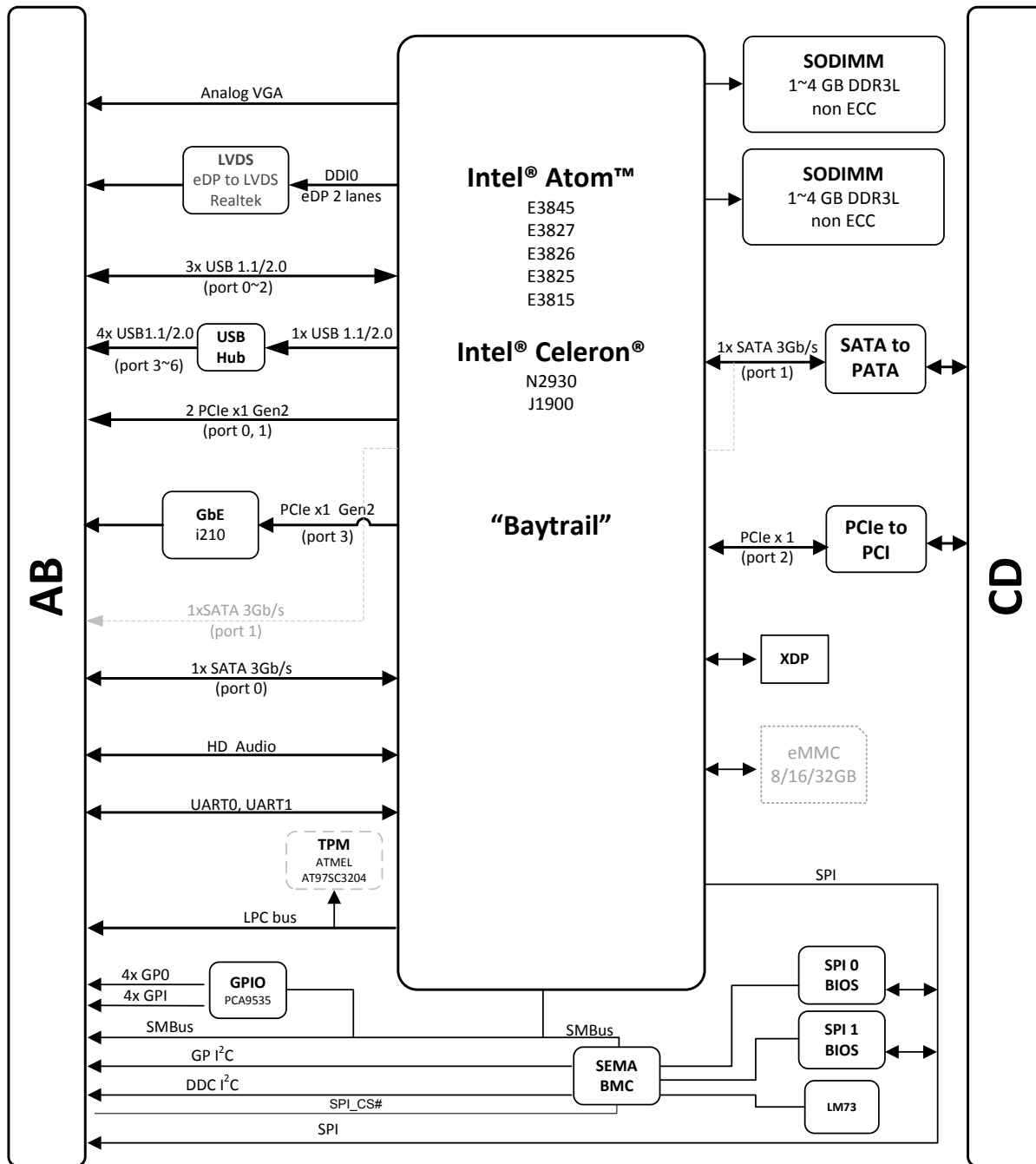
Windows 7/8 32/64-bit, Linux 32/64-bit

Extended Support (BSP)

WES7/8, Linux, VxWorks 32/64-bit, WEC7 32-bit

Note: "build option" indicates an alternative BOM configuration to support additional or alternative functions that are not available on the standard product.
Be aware that these "build option" part numbers will need to be newly created and this will result in production lead times.

Functional Diagram



Ordering Information

- **cExpress-BT2-E3845**
COM Express® Compact Size Type 2 Module with Intel® Atom™ E3845 at 1.91 GHz
- **cExpress-BT2-E3827**
COM Express® Compact Size Type 2 Module with Intel® Atom™ E3827 at 1.75 GHz
- **cExpress-BT2-E3826**
COM Express® Compact Size Type 2 Module with Intel® Atom™ E3826 at 1.46 GHz
- **cExpress-BT2-E3825**
COM Express® Compact Size Type 2 Module with Intel® Atom™ E3825 at 1.33 GHz
- **cExpress-BT2-E3815**
COM Express® Compact Size Type 2 Module with Intel® Atom™ E3815 at 1.46 GHz
- **cExpress-BT2-J1900**
COM Express® Compact Size Type 2 Module with Intel® Celeron® J1900 at 2.00 GHz
- **cExpress-BT2-N2930**
COM Express® Compact Size Type 2 Module with Intel® Celeron® N2930 at 1.83 GHz

Accessories

Heat Spreaders

- **HTS-cBT2-B**
Heatspreader for cExpress-BT2 with threaded standoffs for bottom mounting
- **HTS-cBT2-BT**
Heatspreader for cExpress-BT2 with through hole standoffs for top mounting

Passive Heatsinks

- **THS-cBT2-B**
Low profile heatsink for cExpress-BT2 with threaded standoffs for bottom mounting
- **THSH-cBT2-B**
High profile heatsink for cExpress-BT2 with threaded standoffs for bottom mounting

Active Heatsink

- **THSF-cBT2-B**
High profile heatsink with Fan for cExpress-BT2 with threaded standoffs for bottom mounting

Starter Kit

- **COM Express Type 2 Starter Kit**
COM Express formfactor starter kit with Express-BASE board, power supply, and accessory kit