

Giant-B15/B17/B19

Industrial Panel PC

Preliminary

Features

- Modular, high-performance industrial panel PC with fully enclosed powder coated steel housing (IP65)
- Durable and error-free, even under extreme environmental conditions
- Fast data input via touchscreen
- Various inputs & reader devices (e.g. Legic, RFID) and scanner easily connectable
- Wireless LAN integrated (optional)
- Expansion slots (1x PCIe, 1x Mini PCIe)
- Passively cooled with no ventilation slots or fan
- Cablecover with industrial grade cable feedthrough (IP65)



Specifications

System

CPU	Intel® Atom E3845 1,91 GHz (Quad-Core) (4C/1333)
Cache	2MB L2
Memory	Up to 8GB DDR3
Graphics Controller	Intel® Gen7 HD Graphics
Display	15" (1024x768); 17", 19" (1280x1024)
Storage media	500GB HDD (24x7) or 64GB SSD

Mechanical

Weight	15": 8.6 kg; 17": 10.7 kg; 19": 11.2 kg
Dimensions	See page 2
Mounting	VESA 75/100

Interfaces

Touch-screen	Analog resistive with extended transparency (>80%), surface hard-coated against abrasion
USB	4x USB3.0 external and 4x USB 2.0 internal
Power Supply	110/240VAC 50/60Hz wide input range or 24VDC (intern; optional)
Ethernet	2x GbE
Serial ports	1x RS-232 external, 1x RS-232/422/485 external, 4x RS-232/422/485 internal
Digital I/O	8x GPIO internal
Expansion Slots	1x Mini PCIe, 1x PCIe
Audio	1x Mic-In, 1x Line-out
VGA	1 x VGA and 1 x HDMI connector for external Monitor

Operating Systems

Windows	Windows® 7; Windows® 10
LINUX	Linux, Embedded Linux (on request; customized)

Environment Conditions

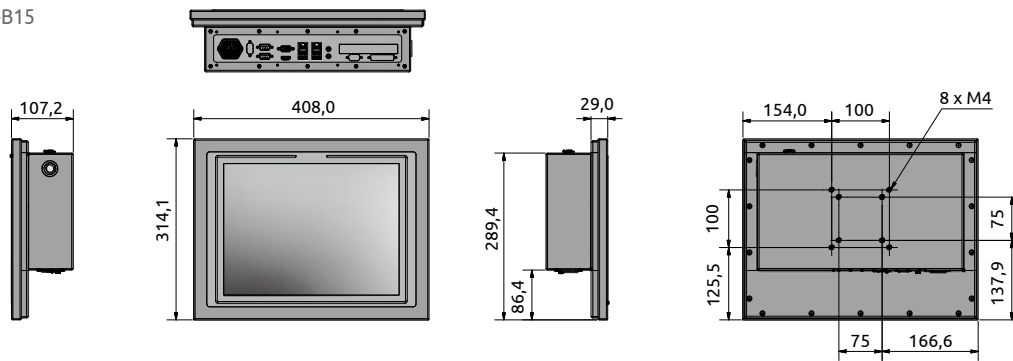
Ingress Rating	IP65
Operating Temp.	0°C to +45°C
Storage Temp.	-10°C to +60°C
Humidity (Operating)	5% to 90% relative humidity (not condensing)
Humidity (Storage)	5% to 95% relative humidity (not condensing)

Certificates

Environmental	EN 55022/5.1995 class A, EN 50082-2/3.1995, VCCI class A, CISPR 22 class A, 47 CFR Part 15 Subpart B (FCC), AS/NZS 3548 class A, EN 60950
EMC-Directive:	89 / 336 / EEC
RoHS	ISO 9001 (2008); ISO 13485 (2007) WEEE-Reg.-Nr. DE 70246803

Dimensions

Giant-B15

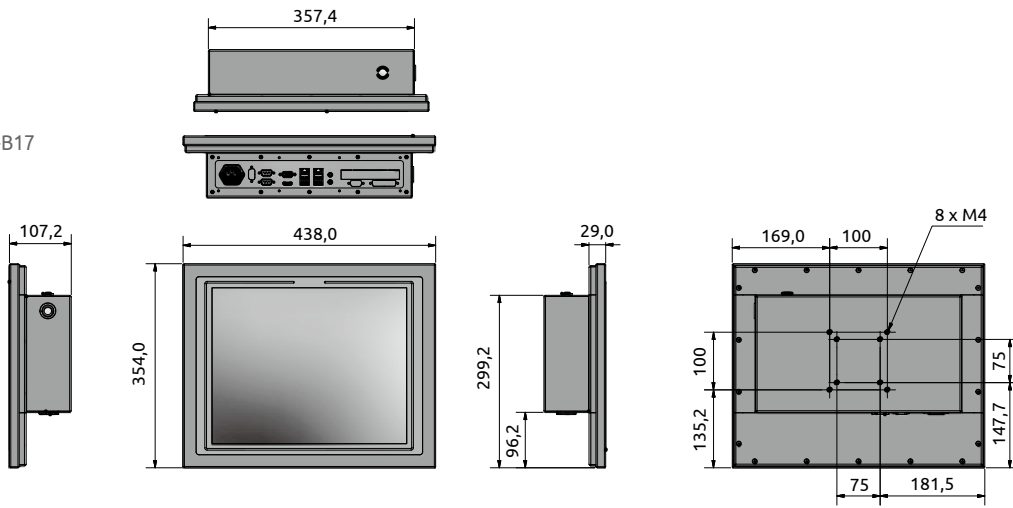


Units: mm

with cable cover mounted:



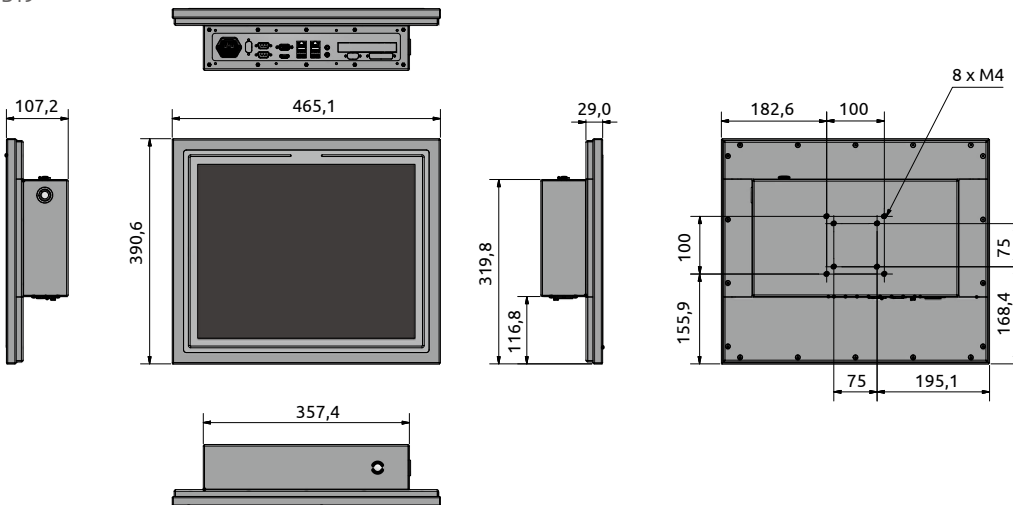
Giant-B17



with cable cover mounted:



Giant-B19



with cable cover mounted:

