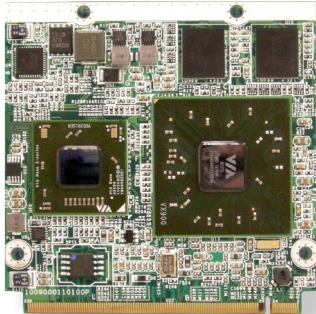


EmQ-v900

VIA Nano™ Qseven® CPU Module



Features

- Soldered onboard VIA Nano™ U3500 Processor
- Integrated Gigabit Ethernet
- Soldered onboard 1GB DDR3 SDRAM
- Single Channel 24-bit LVDS and DisplayPort
- RAID 0, 1 supported
- **Extended Operating Temp.: -20 ~ 70°C**

System

Processor	Soldered onboard VIA Nano™ U3500 1.0GHz
Chipset	VIA VX900
Memory	Soldered onboard 1GB DDR3 SDRAM
BIOS	AMI BIOS
Watchdog Timer	1~255 levels reset

I/O

USB 2.0	8 x USB 2.0 host (1 x configurable as client)
Expansion	2 x PCIe1, SDIO
Storage	2 x Serial ATA ports with 300MB/s HDD transfer rate; RAID 0, 1 supported
Ethernet Chipset	1 x Realtek RTL8111 PCIe GbE controller
Audio	HD link

Display

Graphic Chipset	Integrated Chrome9™ HD DX9
Graphic Interface	LCD: Single Channel 24-bit LVDS, with resolution up to 1366x768 1 x DisplayPort

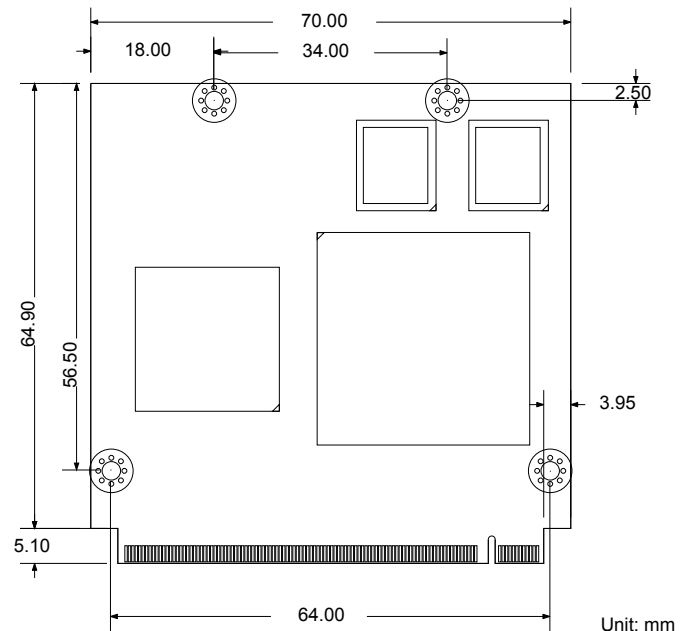
OS Support

Windows 2000
Windows XP
Windows 7

Mechanical & Environmental

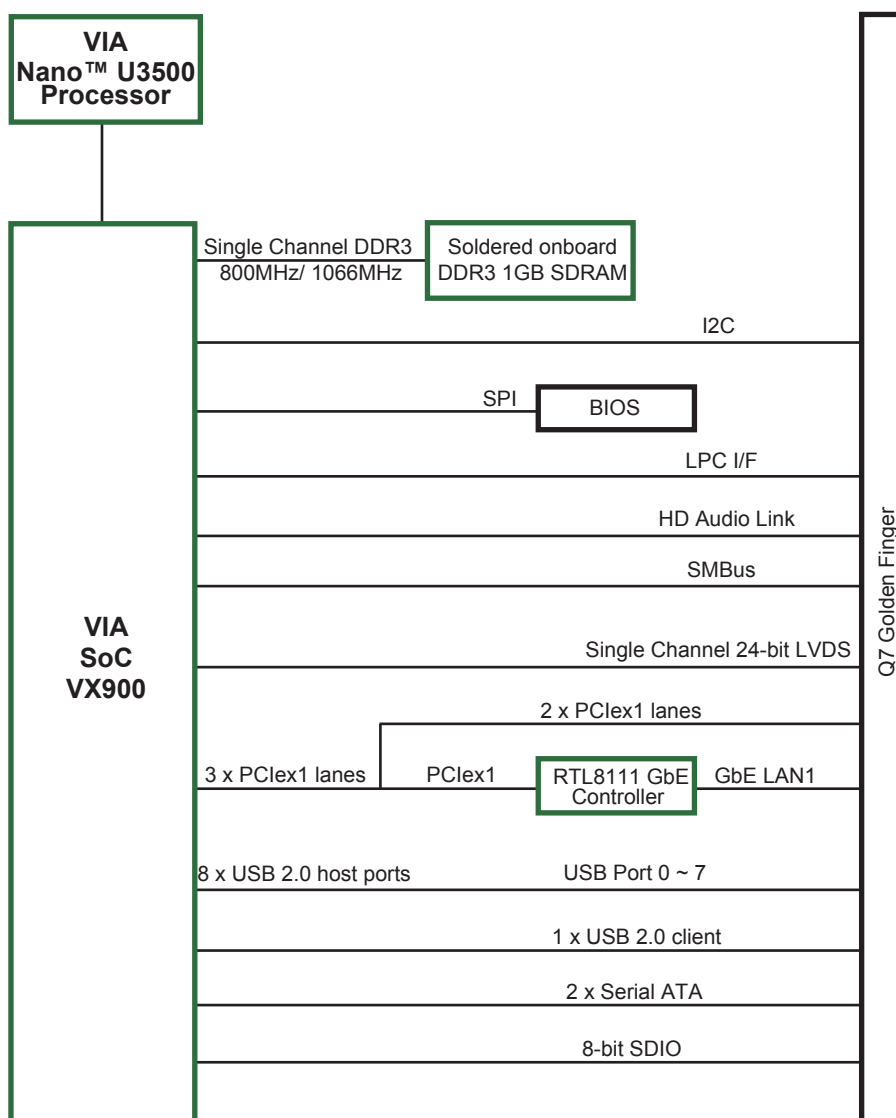
Power Requirement	DC 5V, 5VSB
Power Consumption	1.55A@12V (Typical, with PBQ-3000)
Operating Temp.	-20 ~ 70°C (-4 ~ 158°F)
Operating Humidity	10 ~ 95% @ 70°C (non-condensing)
Dimensions (L x W)	70 x 70 mm (2.76" x 2.76")

Dimensions





Block Diagram



Ordering Information

EmQ-v900 VIA Nano™ U3500 Qseven® CPU module with 1GB memory soldered on CPU module

Optional Accessories

HS-v900-F1 Heat spreader 69.3x67x6mm

HS-0000-W3 Universal evaluation heat sink kit with thermal pad 70x65x29.8mm, only used on a flat-type heat spreader

PBQ-3000 Qseven® R1.2 carrier board in EPIC form factor

CBK-06-3000-00
Cable kit
1 x USB cable
1 x USB2 cable
2 x Serial port cables
1 x SATA cable
1 x SATA power cable