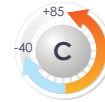
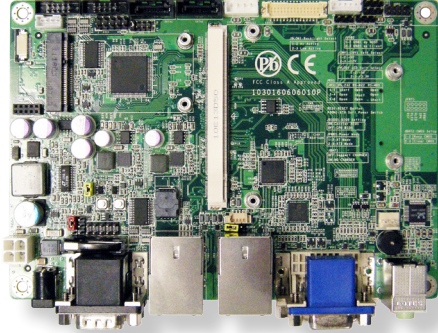


# PBQ-3000



## Qseven® Carrier Board in EPIC Form Factor



### Features

- Qseven® Carrier Board
- Dual Gigabit Ethernet Ports
- Integrated Gigabit Ethernet
- Single Channel 24-bit LVDS/ Dual Channels 24-bit LVDS
- Analog RGB, DVI
- Wide Range DC Power Input: 10V ~ 30V

### I/O

Super IO Chipset	Fintek F71869ED
Serial Port	3 x RS-232 1 x RS-232/422/485 selectable
Digital I/O	8-bit Programmable
Keyboard & Mouse	USB interface Keyboard/ Mouse
USB 2.0	6 x USB 2.0 ports
Expansion	1 x Mini-Card Socket, LPC
Storage	2 x SATA connector
Ethernet Chipset	1 x by CPU module 1 x Intel 82583V PCIe GbE controller
Digital I/O	8-bit Programmable
Audio	Realtek ALC662 5.1 Channel HD Audio CODEC, Mic-in/ Line-in/ Line-out

### Display

Graphic Interface	Analog RGB/ DVI: 1 x VGA connector LCD: 1 x LVDS connector DDI port: 1 x DisplayPort connector
-------------------	--

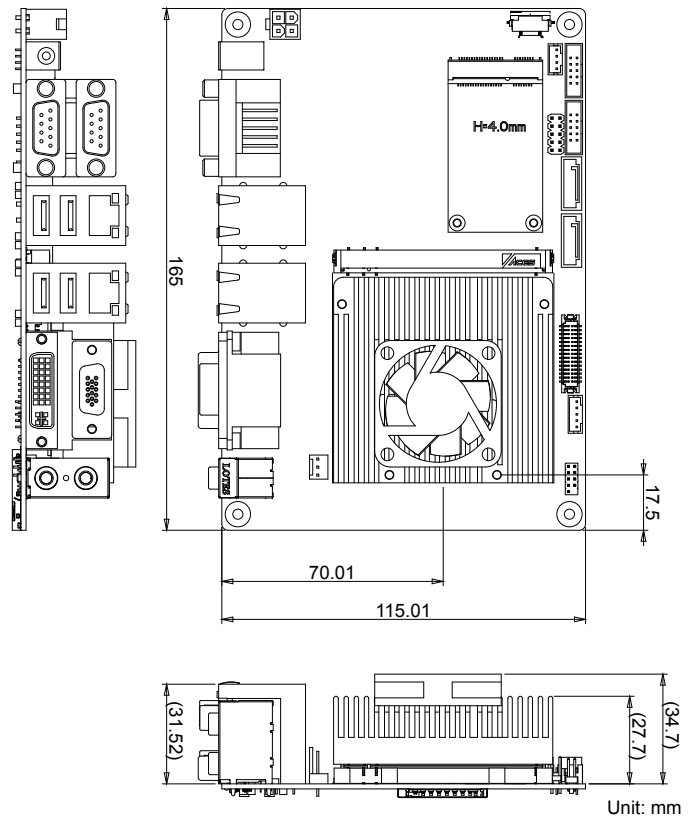
### OS Support

Depends on CPU Module

### Mechanical & Environmental

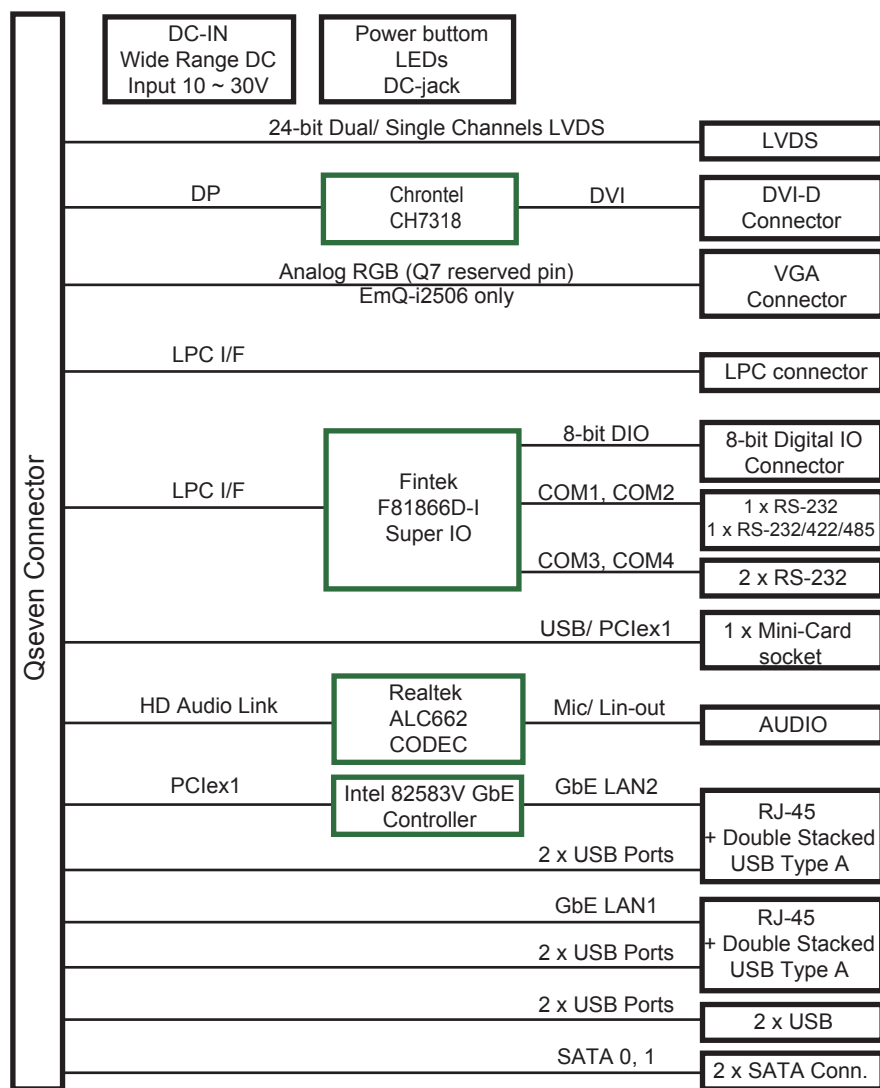
Power Requirement	10V ~ 30V
Power Consumption	0.93A@12V with EmQ-i2301-E3825 (Typical)
Operating Temp.	-40 ~ 85°C (-40 ~ 185°F)
Operating Humidity	10 ~ 95% @ 85°C (non-condensing)
Dimensions (L x W)	165 mm x 115 mm (6.5" x 4.5")

### Dimensions





## Block Diagram



### Ordering Information

PBQ-3000 Qseven® R1.2 carrier board in EPIC form factor

### Optional Accessories

CBK-06-3000-00  
 Cable kit  
 1 x USB cable  
 1 x USB2 cable  
 2 x Serial port cables  
 1 x SATA cable  
 1 x SATA power cable