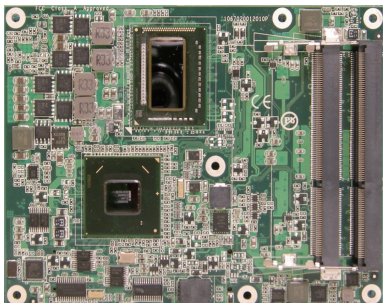


EmETXe-i77M2

3rd Generation Intel® Core™ Processor COM Express® Basic Type 6 CPU Module



Features

- Soldered onboard 3rd Generation Intel® Core™ i7-3517UE/ i7-3612QE/ or i7-3555LE
- Integrated Gigabit Ethernet
- Dual Channels 24-bit LVDS, Analog RGB, and 3 x DDI Ports
- 3 Independent Displays supported
- RAID 0, 1, 5, 10 supported
- Intel® Active Management Technology (Intel® AMT) supported
- **Extended Operating Temp.: -20 ~ 70°C**

System

Processor	Soldered onboard 3 rd Generation Intel® Core™ Processor i7-3517UE 1.7GHz i7-3612QE 2.1GHz i7-3555LE 2.5GHz
Chipset	Intel® PCH QM77
Memory	2 x DDR3 SO-DIMM sockets, supporting up to 16GB 1066MT/s SDRAM
BIOS	AMI BIOS
Watchdog Timer	1~255 levels reset

I/O

USB 2.0	8 x USB 2.0 ports
USB 3.0	4 x USB 3.0 ports
Expansion	7 x PCIe1 Gen.2, 1 x PCIe16 Gen3, LPC
Storage	2 x Serial ATA ports with 300MB/s HDD transfer rate 2 x Serial ATA ports with 600MB/s HDD transfer rate
Ethernet Chipset	1 x Intel® 82579LM PCIe GbE PHY
Digital I/O	8-bit Programmable
Audio	HD link
TPM Function	TPM supported (OEM request)

Display

Graphic Chipset	Integrated Intel® HD Graphics 4000
Graphic Interface	Analog RGB/DVI: Analog RGB, with resolution up to 2560x1600 LCD: Dual Channels 24-bit LVDS, with resolution up to 1920x1200 DDI port: 3 x DDI ports

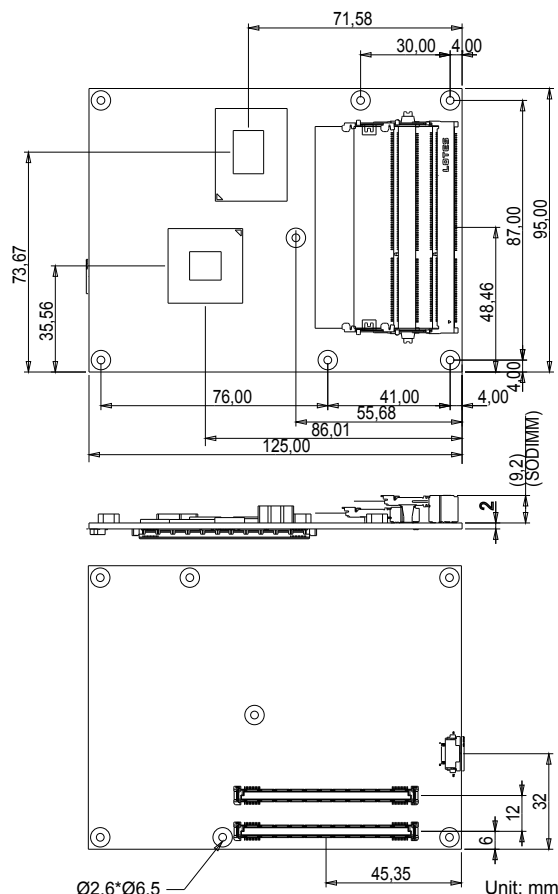
OS Support

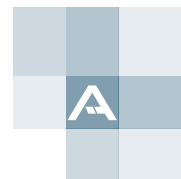
Windows 7 32-bit/64-bit
Windows 8 32-bit/64-bit
Linux: Ubuntu

Mechanical & Environmental

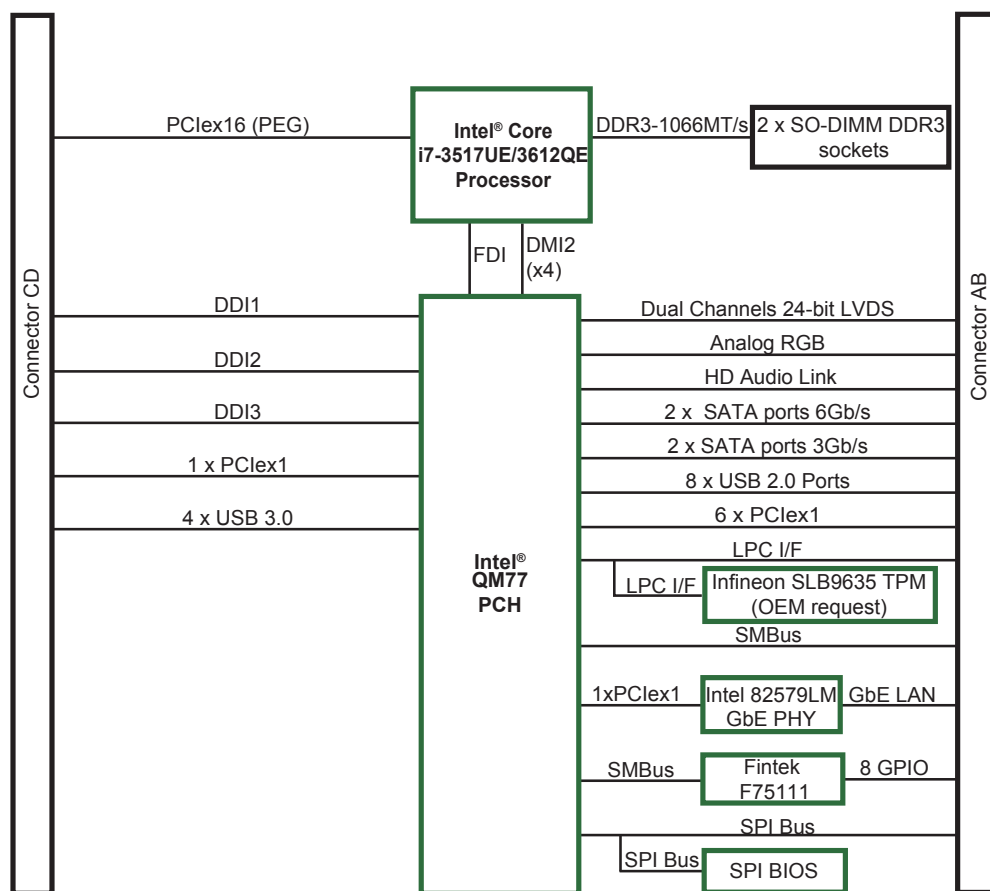
Power Requirement	DC 12V, 5VSB
Power Consumption	2.11A@12V with Intel® Core™ i7-3517UE (Typical, with PBE-1702)
Operating Temp.	-20 ~ 70°C (-4 ~ 158°F)
Operating Humidity	10 ~ 95% @ 70°C (non-condensing)
Dimension (L x W)	125 x 95 mm (4.9" x 3.7")

Dimensions





Block Diagram



Ordering Information

EmETXe-i77M2-3517UE	3 rd Generation Intel® Core™ i7-3517UE/ QM77 COM Express® Basic Type 6 CPU module
EmETXe-i77M2-3612QE (OEM request)	3 rd Generation Intel® Core™ i7-3612QE/ QM77 COM Express® Basic Type 6 CPU module
EmETXe-i77M2-3555LE (OEM request)	3 rd Generation Intel® Core™ i7-3555LE/ QM77 COM Express® Basic Type 6 CPU module

Optional Accessories

HS-65M2-F1	Heat spreader 95x95x18mm, recommended for i7-3517UE CPU module using
HS-65M2-F2	Heat spreader 95x95x11mm
HS-65M2-C1	Heat sink with FAN 125x95x34.8mm, recommended for i7-3612QE CPU module using
HS-0000-W4	Universal evaluation heat sink kit with thermal pad 125x95x22mm, only used on a flat-type heat spreader
CPF-0000-C1	FAN, 4500RPM, 60x60x20mm
PBE-1702	COM Express® Type 6 evaluation carrier board with Super IO F71869ED in ATX form factor
CBK-04-1702-00	Cable Kit 1 x SATA cable 2 x Serial port cables 1 x USB cable