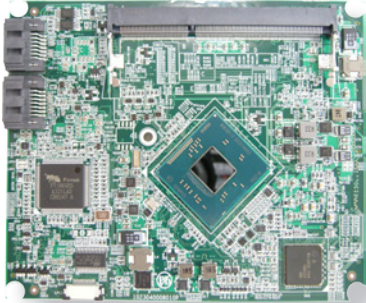


EmETX-i2304

ETX

Intel® Atom™ Processor E3800 family ETX CPU Module



Features

- Soldered Onboard Intel® Atom® Processor E3800 family
- Dual Channels 24-bit LVDS, Analog RGB and DDI Port
- Integrated 10/100base-T Ethernet
- **Extended Operating Temp.: -20 ~ 70°C**
- **Wide Range Operating Temp.: -40 ~ 85°C (WT series)**

System

| | |
|----------------|---|
| Processor | Soldered Onboard Intel® Atom™ Processor E3800 family E3825 1.33GHz or E3845 1.91GHz |
| Memory | 1 x DDR3L SO-DIMM socket, supporting up to 8GB 1333MT/s SDRAM |
| BIOS | Insyde BIOS |
| Watchdog Timer | 1~255 levels reset |

I/O

| | |
|------------------|---|
| Super IO Chipset | Fintek F71869ED |
| Serial Port | 1 x RS-232 1 x RS-232/422/485 (by Carrier Board) |
| Parallel Port | SPP/EPP/ECP mode selectable |
| Keyboard & Mouse | PS/2 interface for keyboard and mouse |
| USB 2.0 | 4 x USB 2.0 ports |
| Expansion | 4 x PCI, ISA, LPC |
| Storage | 1 x Ultra ATA port, supporting 2 IDE devices 2 x Serial ATA ports with 300MB/s HDD transfer rate |
| Ethernet Chipset | 1 x Realtek RTL8105 PCIe 10/100Mbps controller |
| Audio | Realtek ALC662 5.1 Channel HD Audio CODEC, Mic-in/ Line-in/Line-out |
| TPM Function | TPM supported (OEM request) |

Display

| | |
|--------------------|--|
| Graphics Chipset | Integrated Intel® Gen7 Graphic |
| Graphics Interface | Analog RGB/DVI: Analog RGB, with resolution up to 2048x1536 LCD: Dual Channels 24-bit LVDS, with resolution up to 1920x1200 |

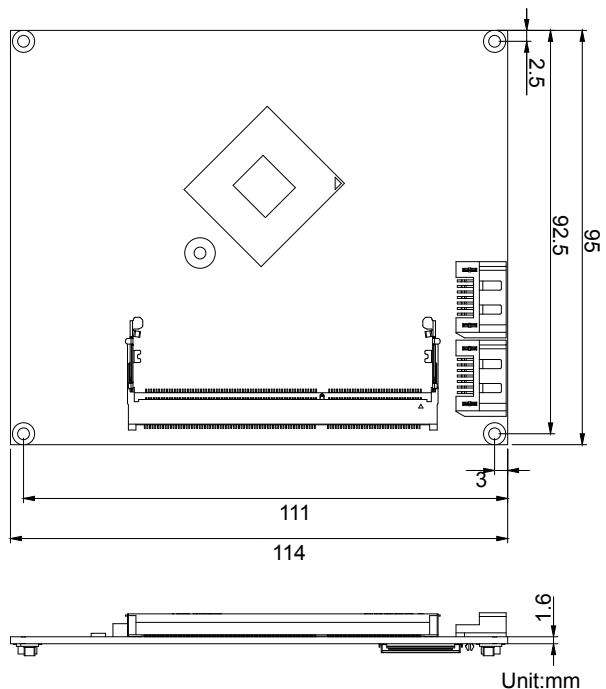
OS Support

Windows 7 32-bit/64-bit
Windows 8.1 32-bit/64-bit
Linux: Ubuntu 12.04 32bit/64bit or later

Mechanical & Environmental

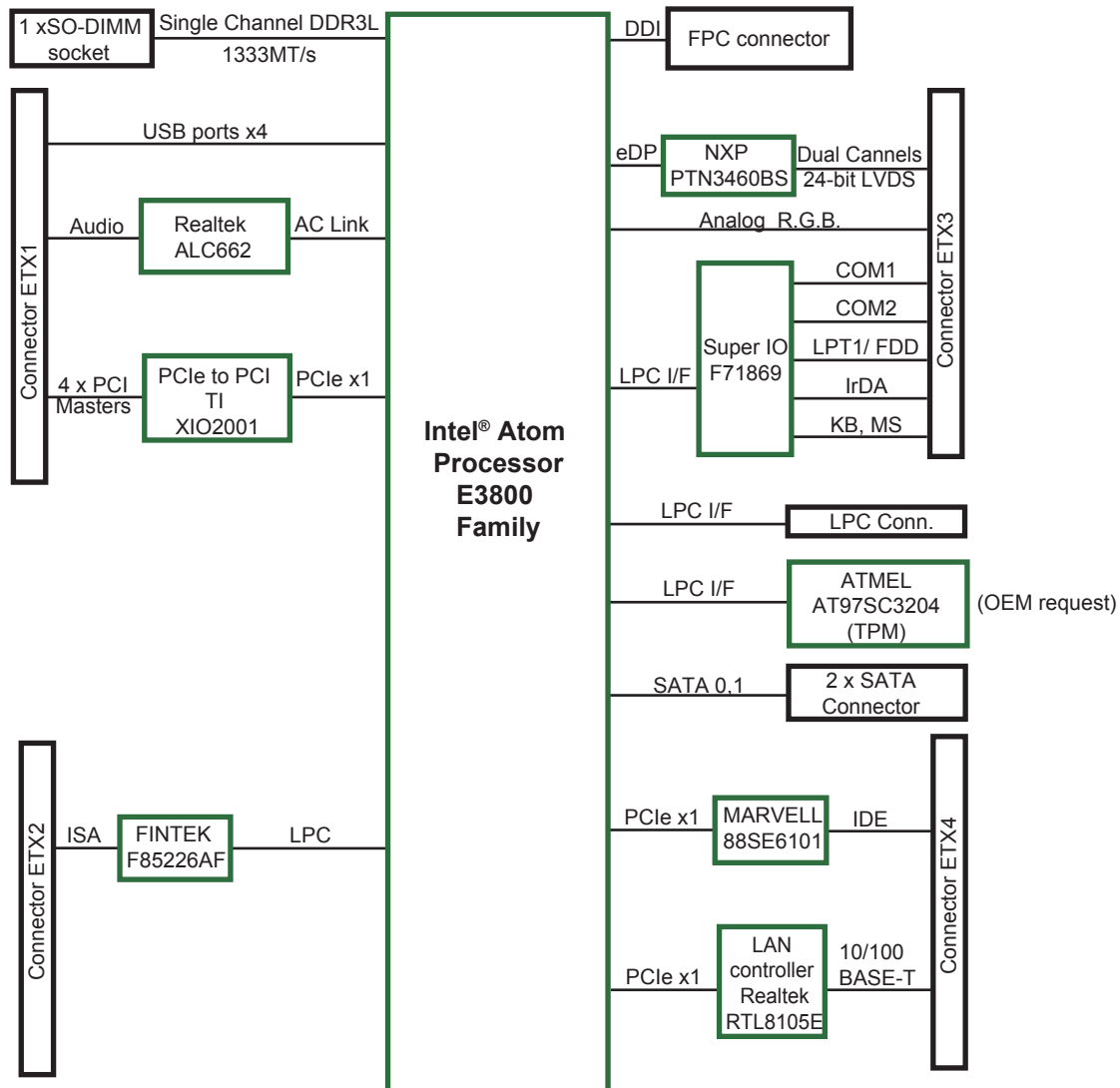
| | |
|--------------------|---|
| Power Requirement | DC 5V, 5VSB |
| Power Consumption | 2.88A@5V with E3845, 2.26A@5V with E3825 (Typical, with PBE-1700) |
| Operating Temp. | -20 ~ 70°C (-4 ~ 158°F) -40 ~ 85°C (-40 ~ 185°F, WT series) |
| Operating Humidity | 10 ~ 95% @ 70°C (non-condensing) 10 ~ 95% @ 85°C (non-condensing, WT series) |
| Dimension (L x W) | 114 x 95 mm (4.5" x 3.7") |

Dimensions





Block Diagram



Ordering Information

| | |
|----------------------------|--|
| EmETX-i2304-E3825 | Intel® Atom™ Processor E3825 ETX CPU module |
| EmETX-i2304-E3845 | Intel® Atom™ Processor E3845 ETX CPU module |
| EmETX-i2304-WT-E3825 (BTO) | Intel® Atom™ Processor E3825 WT ETX CPU module |
| EmETX-i2304-WT-E3845 (BTO) | Intel® Atom™ Processor E3845 WT ETX CPU module |

Optional Accessories

| | |
|----------------|---|
| HS-2304-F1 | Heat spreader 114x95x18mm |
| PBE-1000 R2.1 | ETX evaluation carrier board in ATX form factor |
| CBK-05-1000-00 | Cable kit 1 x FDD cable 3 x Serial port cables 1 x USB cable 2 x IDE cables 1 x TV-out cable |