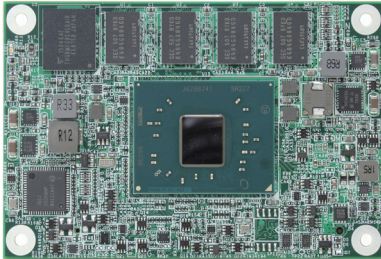


EmNANO-i2402

Intel Apollo Lake SoC Processor Mini COM Express® Type 10 CPU Module



Features

- Soldered onboard Intel Apollo Lake SoC Processor
- Intel I210IT PCIe GbE controller
- Single Channel 24-bit LVDS and 1 x DDI port

System

CPU	Soldered onboard Intel® Pentium N4200/ Celeron N3350 processor
Memory	Soldered onboard 4GB DDR3L SDRAM, upgratable to 8GB
BIOS	AMI UEFI BIOS

I/O

USB Port	10 x USB ports: - 8 x USB 2.0 ports(Support USB2.0 only) - 2 x USB 3.0 SuperSpeed ports
Expansion Bus	4 x PCIe1 lanes, I2C Interface, SDIO
Storage	2 x Serial ATA ports Soldered onboard eMMC 5.0 up to 32GB (OEM Request)
Ethernet Chipset	1 x Intel® i210IT PCIe GbE controller
Audio	HD audio link

Display

Graphic Chipset	Intergrated in Intel® Gen9 graphic
Graphic Interface	LCD: Single Channel 24-bit via eDP to LVDS NXP PTN3460 1 x DDI port

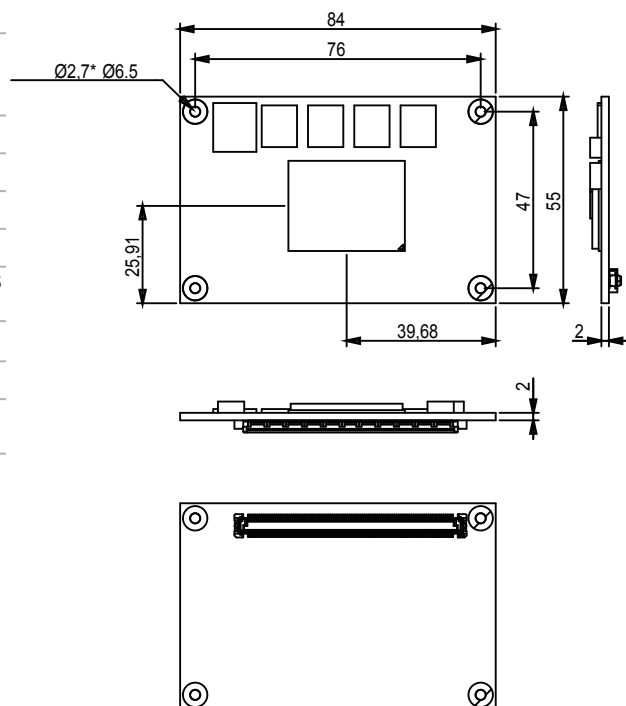
OS support

Windows 10 32-bit/64-bit
Linux: Ubuntu

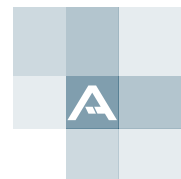
Mechanical & Environmental

Power Requirement	5V/12V Auto detect
Power Consumption	1.57A@12V with N4200(Typical with PBN-9007)
Operating Temp.	-20 ~ 85°C (-4 ~ 158°F)
Operating Humidity	10 ~ 95% @ 85°C (non-condensing)
Dimensions (L x W)	84 x 55 mm (3.3" x 2.17")

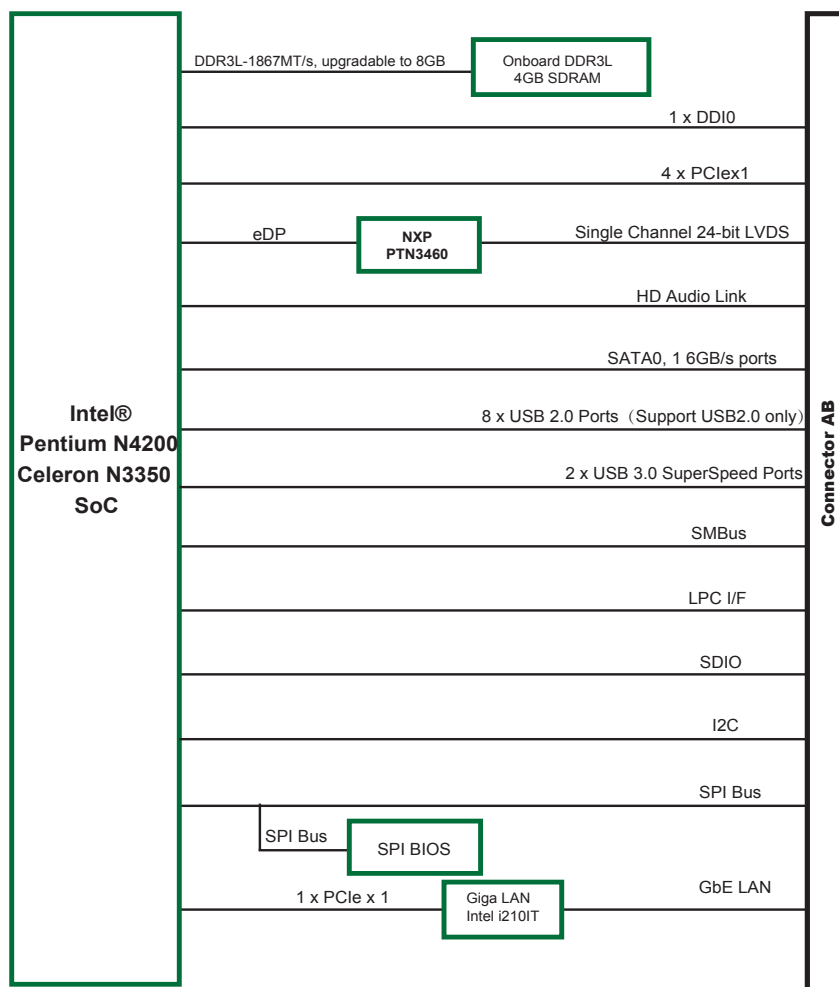
Dimensions



Unit : mm



Block Diagram



Ordering Information

EmNANO-i2402-N4200-4GB	Intel® Pentium N4200 COM Express® Type 10 CPU Module w/ 4GB memory soldered on module
EmNANO-i2402-N3350-4GB	Intel® Celeron N3350 COM Express® Type 10 CPU Module w/ 4GB memory soldered on module
EmNANO-i2402D-N4200-4GB	Intel® Pentium N4200 COM Express® Type 10 CPU Module w/ 4GB memory soldered on module, w/ 32GB eMMC(OEM Request)
EmNANO-i2402D-N3350-4GB	Intel® Celeron N3350 COM Express® Type 10 CPU Module w/ 4GB memory soldered on module, w/ 32GB eMMC(OEM Request)

Optional Accessories

PBN-9007	PBN-9007 COM Express Mini Type 10 carrier board
HS-2402-F1-T (N Series)	Heat Spreader,AL,84*55*11mm,W/THREADED,W/PAD,ACE
HS-2402-F1-NT (N Series)	Heat Spreader,AL,84*55*11mm,THROUGH HOLE,W/PAD,ACE
CBK-05-9007-00	PBN-9007 cable kit
	1 x USB cable
	1 x Serial port cable
	1 x SATA cable
	1 x SATA Power cable
	1 x PS/2 cable