

## Mini PCIe GPS

Connect Tech's Mini PCIe GPS is a ruggedized GPS module based on the very small industry standard Mini PCIe "Full" module format.

Using the USB bus, this Mini PCIe GPS provides global positioning and time-stamp information, while taking up little space and power within a system. Module supports both Windows and Linux environments.

**Product Name:** Mini PCIe GPS

**Part Number:**

MPG201, MPG202, MPG203, MPG204,  
MPG205, MPG206, MPG207, MPG208



### Specifications

<b>Dimensions</b>	50.95 mm x 30 mm Mini PCIe "Full"
<b>Antenna Connector</b>	U.FL, support for active antennas only
<b>GPS</b>	GPS, GLONASS, QZSS, Galileo UBX, RTCM, and NMEA protocols
<b>I/O</b>	TIMEPULSE output synchronized with GPS time grid External Interrupt input External Battery input Forward/Reverse and Wheeltick inputs for Automotive Dead Reckoning
<b>Cables (Optional, not included)</b>	CBG162: External I/O Cable CBG163: R.FL to SMA Female Cable
<b>Antenna (Optional, not included)</b>	GPS-06T, VTGPSA-9, Active GPS/GLONASS Antennas Only
<b>Operating Temperature</b>	-40° C to +85° C
<b>Warranty and Support</b>	2 Years

**RoHS**

Specifications subject to change without notice.

©2016, Connect Tech Inc. All trademarks are property of their respective holder.

### FEATURES

- ✓ *Small industry standard Mini PCIe "Full" module format*
- ✓ *Takes up little space and power within a system*
- ✓ *Easily integrated into any new or existing system using Windows or Linux*
- ✓ *Extended temperature range -40° C to +85° C*

Part Number	
<b>MPG201</b>	Mini PCIe GPS Receiver, populated with NEO-7N module (Battery not included)
<b>MPG202</b>	Mini PCIe GPS Receiver, populated with NEO-7N module (Battery included)
<b>MPG203</b>	Mini PCIe GPS Receiver, populated with NEO-M8N module (Battery not included)
<b>MPG204</b>	Mini PCIe GPS Receiver, populated with NEO-M8N module (Battery included)
<b>MPG205*</b>	Mini PCIe GPS Receiver, populated with NEO-M8L module (Battery not included)
<b>MPG206*</b>	Mini PCIe GPS Receiver, populated with NEO-M8L module (Battery included)
<b>MPG207*</b>	Mini PCIe GPS Receiver, populated with NEO-M8U module (Battery not included)
<b>MPG208*</b>	Mini PCIe GPS Receiver, populated with NEO-M8U module (Battery included)

\* With Dead Reckoning

**Connect Tech Inc.**

42 Arrow Road, Guelph ON Canada

**Tel:** 519.836.1291 **Fax:** 519.836.4878

**Toll:** 800.426.8979 (North America)

**Email:** sales@connecttech.com

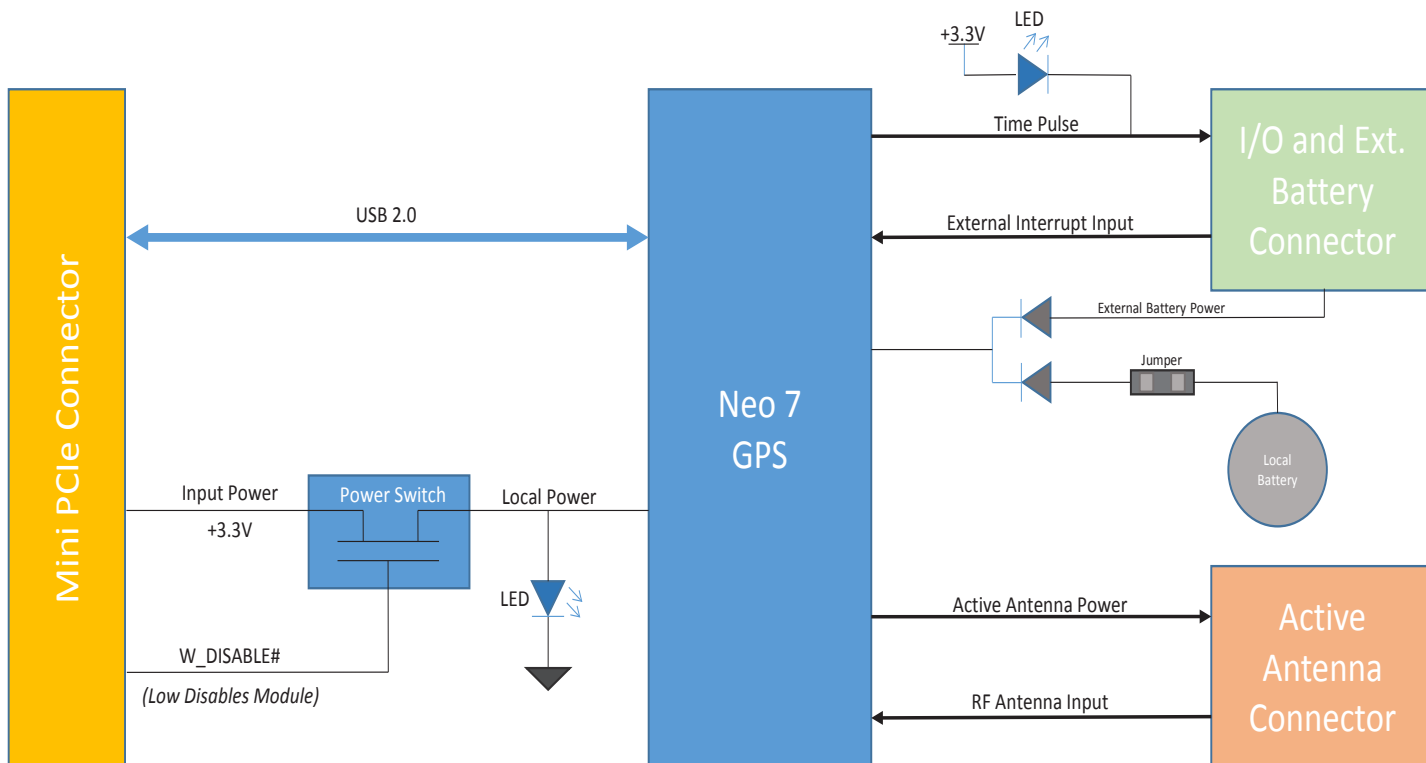
**www.connecttech.com**



**Product Name:** Mini PCIe GPS

**Part Number:**

MPG201, MPG202, MPG203, MPG204,  
MPG205, MPG206, MPG207, MPG208



**Connect Tech Inc.**  
42 Arrow Road, Guelph ON Canada  
**Tel:** 519.836.1291 **Fax:** 519.836.4878  
**Toll:** 800.426.8979 (North America)  
**Email:** sales@connecttech.com  
**www.connecttech.com**