

Accessory

DTC-1220

Desktop Cradle for G1220



Specifications

Color & Material	Gray, Plastic
I/O Ports	4 x USB 2.0 ports
	1 x VGA port
	2 x RS-232 ports
	1 x Battery Charging Bay (rear side)
	1 x Ethernet 10/100 RJ-45 w/o WOL
	1 x DC-in Jack
LED Indicator	Power/Battery/MSR LED, 2 x Smart Card LED

Mechanical & Environmental

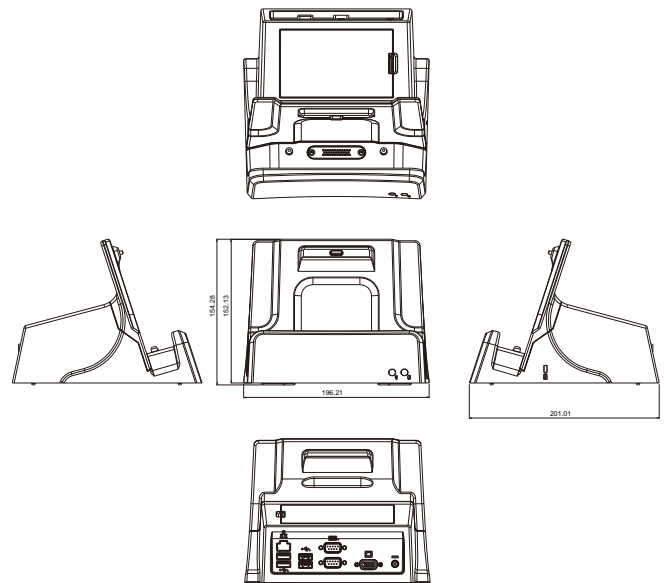
Charging Temp.	0 ~ 40°C (32 ~ 104°F)
Operating Temp.	0 ~ 40°C (32 ~ 104°F)
Storage Temp.	-20 ~ 60°C (-4 ~ 140°F)
Dimensions (W x D x H)	169.21 x 154.28 x 201.01 mm (6.66" x 6.07" x 7.91")
Weight (Net)	1.2 kg (2.64 lb)
Vibration	1 Grms/ 5 ~ 500Hz/ Random operation
Shock	10G peak acceleration (11 ms duration)

Power

Adapter Input	100~240VAC (Full Range)
Adapter Output	19V, 4.74A, 90W

Ordering Information

DTC-1220	Desktop cradle for G1220
----------	--------------------------



DTC-1220
(Front Side)



DTC-1220
(Rear Side)



DTC-1220
(Right Side)



DTC-1220
(Top View)

