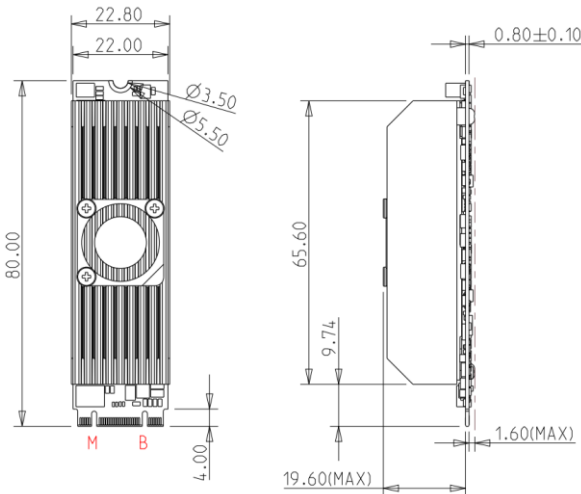


### Features

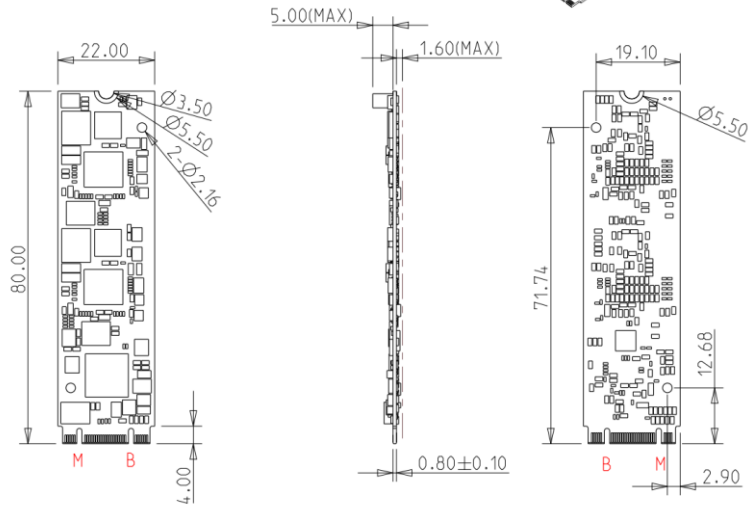
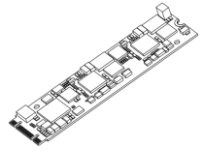
- M.2 2280 B+M Key to 2 Movidius Myriad X
- Low Power Design
- Support Intel OpenVINO Toolkit
- Supported Framework: TensorFlow, Caffe, MXNET
- Complies with CE/FCC Class A
- 30μ" golden finger, 3-year warranty

### Mechanical Drawing

#### With Heatsink



#### Without Heatsink



#### Headquarters (Taiwan)

5F., No. 237, Sec. 1, Datong Rd.,  
Xizhi Dist., New Taipei City 221,  
Taiwan  
Tel: +886-2-7703-3000  
Email: sales@innodisk.com

#### Branch Offices:

**USA**  
usasales@innodisk.com  
+1-510-770-9421

**Europe**  
eusales@innodisk.com  
+31-40-3045-400

**Japan**  
jpsales@innodisk.com  
+81-3-6667-0162

**China**  
sales\_cn@innodisk.com  
+86-755-2167-3689

[www.innodisk.com](http://www.innodisk.com)

© 2019 Innodisk Corporation.  
All right reserved. Specifications  
are subject to change without  
prior notice.

December 12, 2019

### Specifications

Form-Factor	M.2 2280 B+M Key
Input I/F	PCI Express 2.0 x 1
TDP	8W
Dimension (WxLxH)	With Heatsink: 22.8 x 80.0 x 22 mm, Weight: 34.12g Without Heatsink: 22.0 x 80.0 x 7.4 mm, Weight: 6.89g
Temperature	Operation: 0°C ~ +60°C
Support Framework	TensorFlow, Caffe, MXNET
OS Support	Windows 10 64-bit Ubuntu 18.04, 64-bit
Notes	Please download OpenVINO Toolkit from Intel website: <a href="https://docs.openvino toolkit.org/latest/index.html">https://docs.openvino toolkit.org/latest/index.html</a>