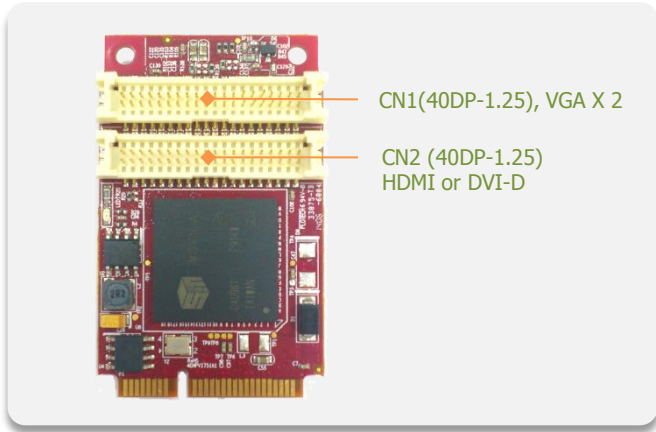


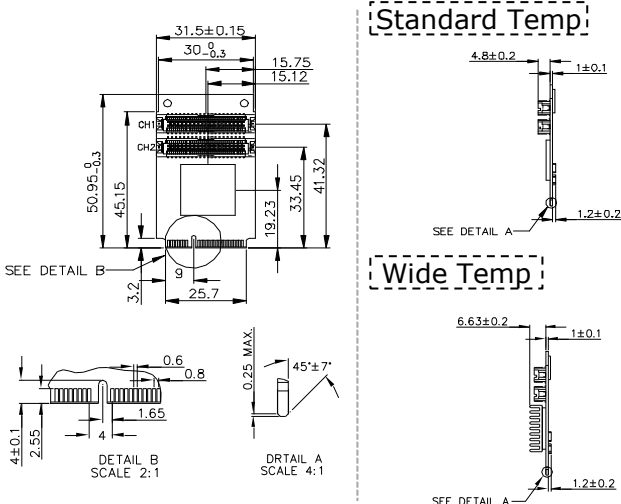
EMPV-1201 mPCIe to dual VGA & HDMI(or DVI) module



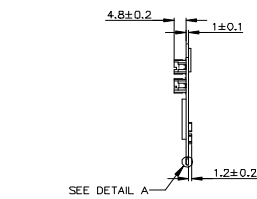
Features

- VGA Output up to 1920x1080. up to 75Hz vertical rate.
- HDMI up to 1080P, Ultra low power consumption.
- Allow for 90°, 180°, and 270° rotation of on-screen images.
- DVI-D Single Link up to 1080P.
- Optional Industrial Temperature (-40°C to +85°C) support.
- 30μ" golden finger, 3 years warranty.
- Industrial design. Manufactured in innodisk Taiwan.

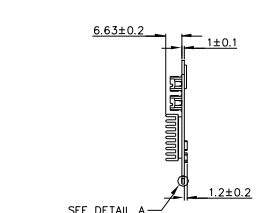
Mechanical Drawing



Standard Temp



Wide Temp



HDMI or DVI-D Single Link (CN2)				Dual VGA(CN1)			
Signal	Pin	Pin	Signal	Signal	Pin	Pin	Signal
+5V	2	1	+3.3V	+5V	2	1	3.3V
+5V	4	3	+3.3V	+5V	4	3	3.3V
	6	5			6	5	
GND	8	7	GND	GND	8	7	GND
TMDS_D0+	10	9	TMDS_D1+	R_1	10	9	B_1
TMDS_D0-	12	11	TMDS_D1-	G_1	12	11	
GND	14	13	GND	GND	14	13	GND
TMDS_D2+	16	15		H_Sync_1	16	15	DDC_SCL_1
TMDS_D2-	18	17		V_Sync_1	18	17	DDC_SDA_1
GND	20	19	GND	GND	20	19	GND
	22	21		R_0	22	21	B_0
	24	23		G_0	24	23	
GND	26	25	GND	GND	26	25	GND
	28	27	DDC_SCL	H_Sync_0	28	27	DDC_SCL_0
	30	29	DDC_SDA	V_Sync_0	30	29	DDC_SDA_0
GND	32	31	GND	GND	32	31	GND
TMDS_CK+	34	33	CEC		34	33	
TMDS_CK-	36	35	HPD		36	35	
GND	38	37	GND	GND	38	37	GND
	40	39			40	39	

Specifications

Headquarters (Taiwan)
5F., No. 237, Sec. 1, Datong Rd.,
Xizhi Dist., New Taipei City 221,
Taiwan
Tel: +886-2-77033000
Email: sales@innodisk.com

Branch Offices:

USA
usasales@innodisk.com
+1-510-770-9421

Europe
esusales@innodisk.com
+31-040-282-1818

Japan
jpsales@innodisk.com
+81-3-6667-0161

China
sales_cn@innodisk.com
+86-755-21673689

Form-Factor	mini PCIe
Input I/F	PCI Express 1.0
Output I/F	VGA x 2, HDMI x 1, DVI-D Single Link x 1 (Alternative)
Output Connector	40pin 1.25mm x 2(40DP-1.25)
TDP	1.98W(3.3V x 600mA)
Dimension (WxLxH)	50.95 x 31.5 x 8.2 mm, Weight: 7.5g
Temperature	Operation: STD: 0°C ~ +70°C WT: -40°C ~ +85°C Storage: -55°C ~ +95°C
Environment	Vibration: 5G @7~2000Hz, Shock: 50G @ 0.5ms
Notes	OS Support : Windows XP (32 bit), Windows 7 (32/64 bit), Windows 8 (64 bit), Linux Ubuntu 12.10(64 bit), Linux Fedora 18, Linux RedHat Enterprise 6.3. Different CN2 cable for HDMI or DVI-D(Alternative). Please download driver from innodisk website.

www.innodisk.com
© 2014 Innodisk Corporation.
All right reserved. Specifications
are subject to change without
prior notice.

November 23, 2015

Order information

EMPV-1201-C1(Standard Temp.)
EMPV-1201-W1(Wide Temp.)
mPCIe to dual VGA & HDMI(DVI-D Single Link) module

7W9000000010 Dual VGA Cable
7W9000000020 HDMI Cable
7W9000000040 DVI Cable