

COMe-bBD6

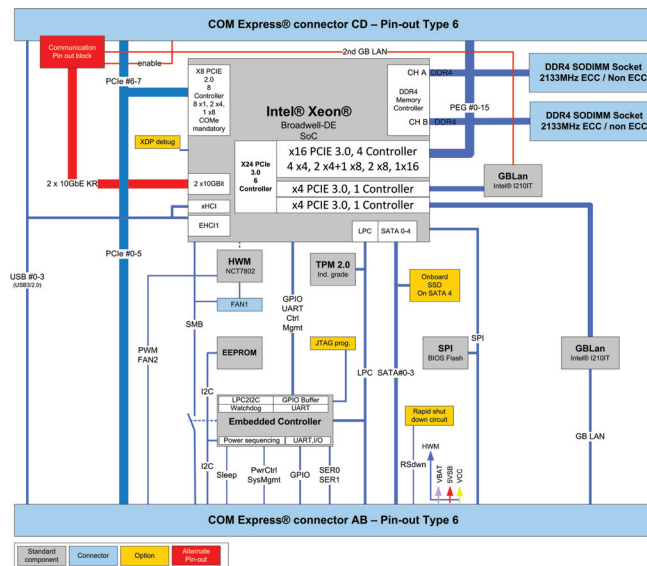


COM Express® BASIC TYPE 6 WITH Intel® Xeon® PROCESSOR D-1500

- ▶ Intel® Xeon® Processor D-1500 SoC, newest member of the Intel® Xeon® Processor family
- ▶ DDR4 memory technology up to 32 GByte ECC, 2x SODIMMs
- ▶ high-speed connectivity x16 PCIe 3.0 + x8 PCIe2.0, Dual 10GbE interfaces (option)

TECHNICAL INFORMATION

COMPLIANCE	COM Express® Basic, Pin-out Type 6 compatible
DIMENSIONS (H x W x D)	95 x 125mm
CPU (SoC)	Intel® Xeon® Processor D-1548, 8 C, 2.0 GHz, 12 MByte, 45 W, Intel® Xeon® Processor D-1537, 8 C, 1.7 GHz, 12 MByte, 35 W, Intel® Xeon® Processor D-1528, 6 C, 1.9 GHz, 9 MByte, 35 W, Intel® Xeon® Processor D-1527, 4 C, 2.2 GHz, 6 MByte, 35 W, Intel® Pentium® Processor D-1517, 4 C, 1.6 GHz, 6 MByte, 25 W, Intel® Pentium® Processor D-1508, 2 C, 2.2 GHz, 3 MByte, 25 W, Intel® Xeon® Processor D-1518, 4 C, 2.2 GHz, 6 MByte, 35 W, no dual 10GbE KR Intel® Pentium® Processor D1519, 4 C, 1.6 GHz, 6 MByte, 25 W, ind. Temp Intel® Xeon® Processor D-1539, 8 C, 1.6 GHz, 12 MByte, 35 W, ind. Temp Intel® Xeon® Processor D-1559, 12 C, 1.5 GHz, 18 MByte, 45 W, ind. Temp
MAIN MEMORY	2x DDR4 SODIMM dual channel up to 32 GByte ECC or non ECC
ETHERNET CONTROLLER	Intel® I210IT
ETHERNET	1x 10/100/1000 MBit Ethernet Special Communication interface block (alternate pin out, not standardized) 2nd 10/100/1000 MBit Ethernet, Intel I210IT Dual 10GbE Interface (KR) integrated in SoC
HARD DISK	4x SATA3, 6Gb/s
FLASH ONBOARD	SATA SSD up to 32 GByte (option)
PCI Express®/ PCI SUPPORT	16x PCIe 3.0 (4 controllers, x16, x8, x4, x1 operation) + 8x PCIe2.0 (8 controllers, x8, x4, x1 configuration)
USB	4x USB 3.0/2.0
SERIAL	2x serial interface (RX/TX only)
COMMON FEATURES	SPI, LPC, SMB, Fast I ² C, Staged Watchdog, RTC, MARS
BIOS	AMI UEFI
HUMIDITY	93 % relative Humidity at 40 °C, non-condensing (according to IEC 60068-2-78)
OPTIONS	Onboard SATA SSD up to 32 GByte SLC
POWER MANAGEMENT	ACPI 4.0, S5 Eco
POWER SUPPLY	ATX, 8.5 V – 20 V Wide Range, Single Supply Power
SPECIAL FEATURES/ SECURITY	TPM 2.0, INFINEON SLB9665XQ2.0
SPECIFICATIONS	Commercial grade Version Temperature 0 - 60 °C, Industrial grade Versions -40 °C to +85 °C
OPERATING SYSTEMS	Linux, Windows Server 2008 R2 SP1 / 2012, /2012 R2 Windows 7 and 8.1, VxWorks 7.x
TEMPERATURE	Commercial Temperature 0 - 60 °C Industrial temperature -40 °C to +85 °C (specified SKUs only)
SUPPORTED MODULES	COMe-bBD6 68002-xxxx-xx-x commercial grade COMe-bBDi6R 68003-xxxx-xx-x industrial grade (specified SKUs only)



CORPORATE OFFICES

EUROPE, MIDDLE EAST & AFRICA

Lise-Meitner-Str. 3-5
86156 Augsburg
Germany
Tel.: +49 821 4086 0
Fax: +49 821 4086 111
info@kontron.com

NORTH AMERICA

14118 Stowe Drive
Poway, CA 92064-7147
USA
Tel.: +1 888 294 4558
Fax: +1 858 677 0898
info@us.kontron.com

ASIA PACIFIC

1-2F, 10 Building, No. 8 Liangshuihe 2nd Street,
Economical & Technological Development Zone,
Beijing, 100176, P.R.China
Tel.: +86 10 63751188
Fax: +86 10 83682438
info@kontron.cn