

OXY5535B

PERFECTRON

Intel® Ivy Bridge Core™ i7 PCIe/104 with QM77 Chipset,
Wide Temp. -20 to 70°C (-40 to 85°C optional)



**EXTENDED
TEMPERATURE**

KEY FEATURE

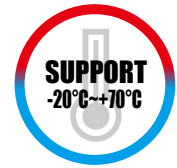
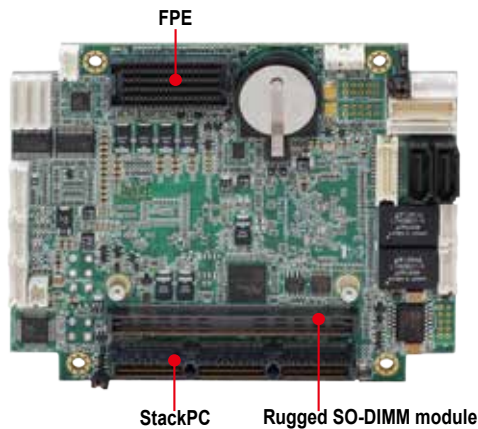
- Supports Intel® Ivy Bridge CPU onboard
- PCIe/104-FPE CPU module
- 1 x PCIe/104, 1 x FPE
- Supporting 1 x PCIe_16, 1 x PCIe_4, 4 x PCIe, 6 x USB, 2 x GbE
- VGA, DVI, D-C 24bit LVDS
- Onboard SATA NAND Drive up to 64 GB
- Rugged XR-DIMM supported by Swissbit
- 12V DC-in
- Wide operation temp. -20 to 70°C (-40 to 85°C optional)

it's perfect!

OXY5535B

PERFECTRON

Intel® Ivy Bridge Core™ i7 PCIe/104-FPE with QM77 Chipset,
Wide Temp. -20 to 70°C (-40 to 85°C optional)



Main Features

- Supports Intel® Ivy Bridge CPU onboard
- PCIe/104-FPE CPU module
- 1 x PCIe/104, 1 x FPE
- Supporting 1 x PCIe_16, 1 x PCIe_4, 4 x PCIe, 6 x USB, 2 x GbE
- VGA, DVI, D-C 24-bit LVDS
- Onboard SATA NAND Drive up to 64 GB
- Rugged XR-DIMM supported by Swissbit
- 12V DC-in
- Wide operation temp. -20 to 70°C (-40 to 85°C optional)

► Specifications

System

CPU Type	Intel® Ivy Bridge, BGA type Core™ i3 3217UE (2C x 1.6 GHz), 3M L2 cache (17 W) Core™ i7 3517UE (2C x 1.7 GHz), 4M L2 cache (17 W) Celeron 1047UE (1.4 GHz), 2M L2 cache (17W)
Chipset	Intel® QM77
Memory Type	1 x DDR3 1333/1600 MHz XR-DIMM w/ECC up to 8 GB
BIOS	AMI UEFI BIOS
Super I/O	F81866AD-I
Watchdog	1-255 sec. or 1-255 min. software programmable, can generate system reset
Expansion Slot	1 x PCIe/104 (4 x PCIe x 1, 1 x PCIe x 4, 6 x USB, 2 x SATA, 2 x GbE LAN, 1 x LPC, 2 x SPI, 1 x SMBus) 1 x FPE (1 x PCIe x 16)

Display

Chipset	Integrated GFX in Ivy Bridge processor
VGA	Yes (Max. resolution 2048 x 1536)
DVI	Yes (Max. resolution 1920 x 1080)
LVDS	Supports single/dual channel 24-bit LVDS
Dual Independent Displays Capability	VGA + LVDS

Audio

Codec	Realtek ALC887 High Definition Audio Codec
-------	--

Ethernet

Chipset	Intel® 82579LM & 82574IT GbE
WOL	Yes
Boot from LAN	Yes for PXE

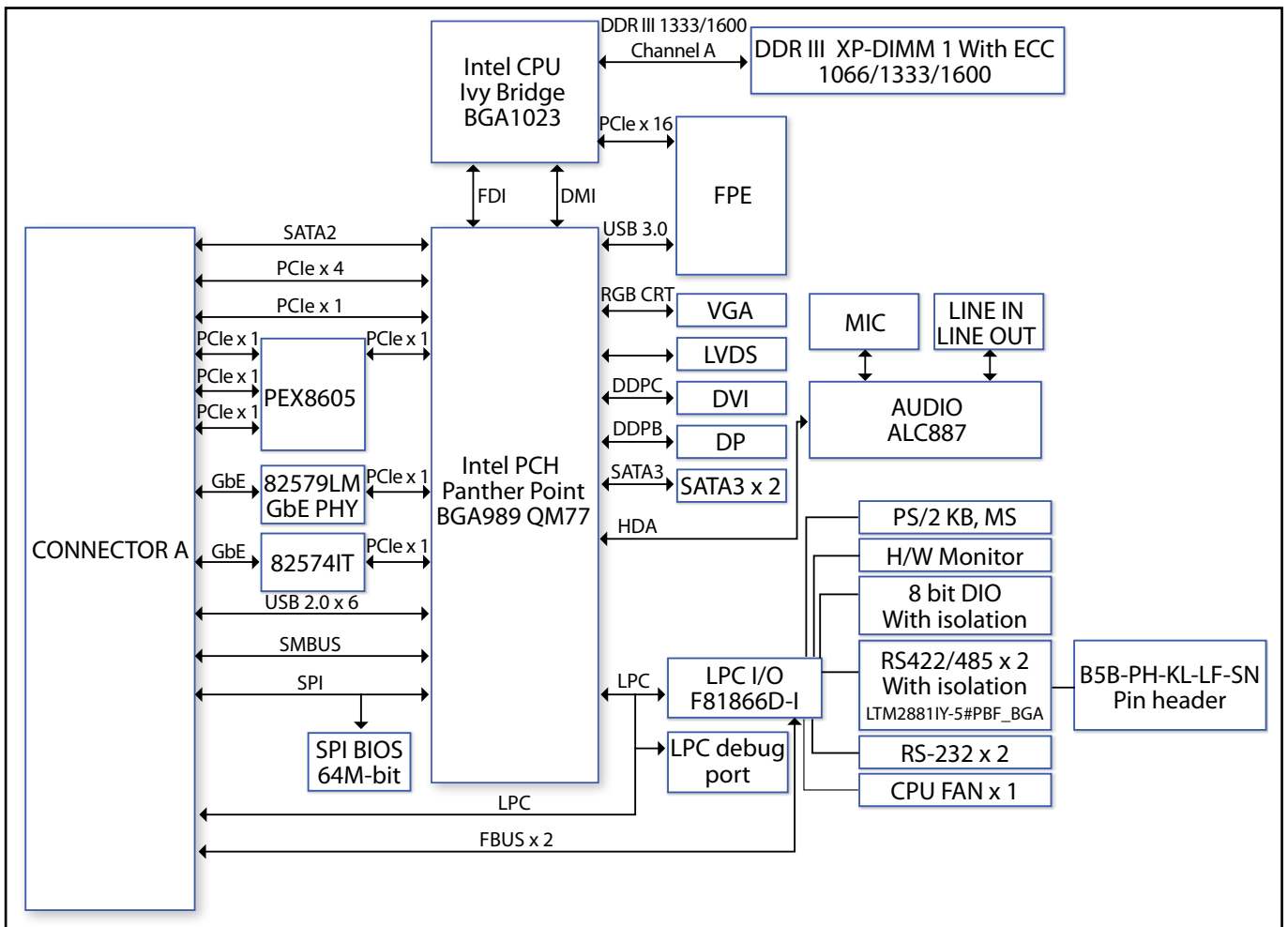
Internal I/O

SATA	2 x SATAIII (6 Gb/s)
NAND Flash Drive	1 x 8 GB SLC or 1 x 64 GB MLC
USB	2 x USB 2.0
COM	2 x RS232 2 x RS422/485 with isolation
VGA	2 x 8-pin connector
Audio	Line-in, Line-out, Mic-in
LVDS	2 x 20-pin connector
Inverter	1 x 10-pin connector
DVI-D	2 x 12-pin connector
DIO	8-bit (4 in/4 out with isolation)
PS/2	2 x 4-pin header
FAN	1 x CPU fan

Mechanical and Environment

Form Factor	StackPC-FPE
Power type	+12V DC-in
Dimension	96 x 121 mm (3.8" x 4.8")
Operating Temp.	-40 to 85°C
Storage Temp.	-55 to 90°C
Relative Humidity	10% to 90%, non-condensing

► **Block Diagram**



► **Packing List**

- OXY5535B StackPC-FPEModule
- CD (Driver + user's manual)

► **Optional Accessories**

Cable Kit

Cable kit for OXY5535B

Stacker Kit

SK301-StackPC Stacker

SK302-FPE Stacker

► **Ordering Information**

Modules

Model Number	Description
OXY5535B-ET	Intel® Ivy Bridge Core™ i7 StackPC with QM77 Chipset, Wide Temp. -20 to 70°C
OXY5535B-UT	Intel® Ivy Bridge Core™ i7 StackPC with QM77 Chipset, Wide Temp. -40 to 85°C



► **Applications**

