



## Tibbit Module

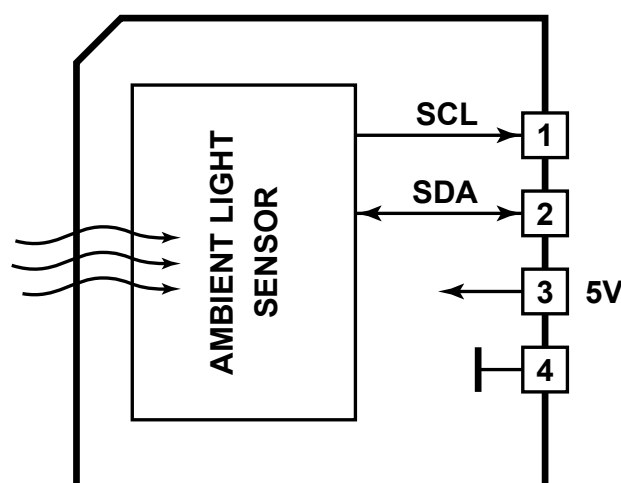
#28



C1

Ambient light sensor

Visible spectrum ambient light sensor.

**Form:** C1**Power:**

- 5V - Consumes 2mA

**Mates with:** #00\_3**Details**

This Tibbit is based on the BH1721FVC ambient light sensor with I2C interface. The sensor is implemented as the C1 device with a clear (transparent) window. The module measures the light intensity of the surrounding environment and its spectral response is close to that of a human eye.

The module outputs ambient light measurements as 16-bit values that do not correspond to any standard measurement units.

This C1 device requires the Tibbit #00-3 to be installed in the neighboring *"M" Tibbit socket*. #00-3 provides two direct lines for I2C comms, as well as the ground and +5V power for the BH1721FVC IC.

### Sample project

The use of this Tibbit is illustrated by a Tibbo BASIC test project. You can find it here:

<https://github.com/tibbotech/CA-Test-Tibbit-28>.

© 2017 Tibbo Technology Inc.

9F-3, No.31, Lane 169, Kang-Ning St., Hsi-Chih, New Taipei City, Taiwan 22180

Phone: 886-2-26925443    Email: sales@tibbo.com    Web: tibbo.com

Tibbit Module

