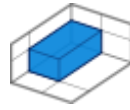




Tibbit Module

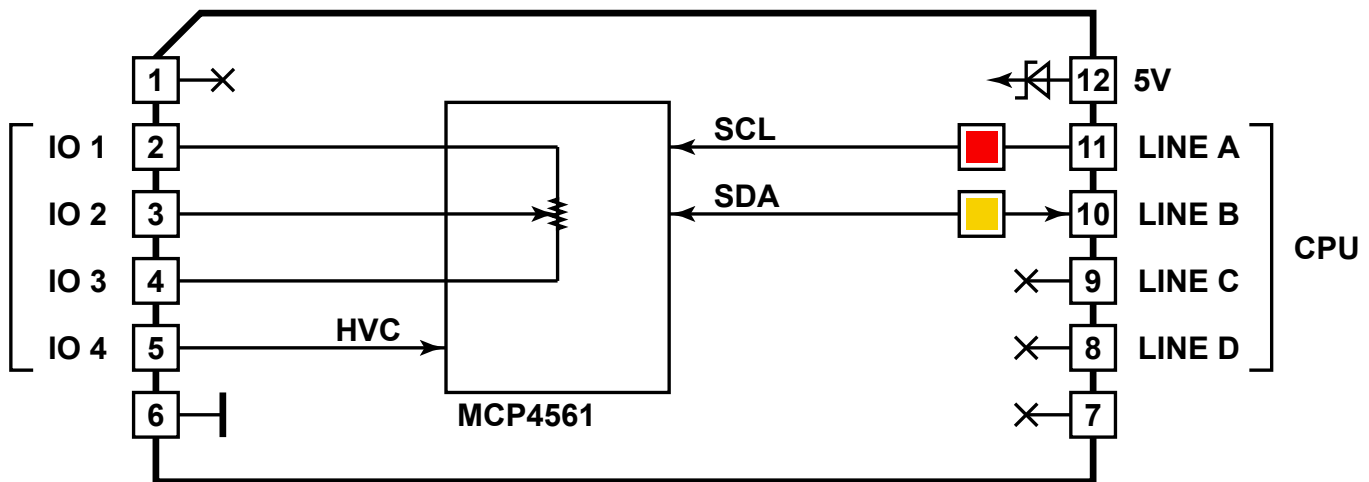
#40₁



M1S

Digital potentiometer, 5K0hm

Digital potentiometer, 5K0hm, 8-bit resolution.



Form: M1S

Power:

- 5V - Consumes 10mA

Mates with: #19, #20, #21

Details

The Tibbit is based on the MCP4561 digital POT IC from Microchip. This IC has an 8-bit resolution. Refer to Microchip datasheet for operation details.

LEDs

There is one red and one yellow LED. The red LED is connected to the SCL line of the I2C interface, the yellow LED — to the SDA line.

Sample project

The use of this Tibbit is illustrated by a Tibbo BASIC test project. You can find it here:

<https://github.com/tibbotech/CA-Test-Tibbit-40>.

© 2017 Tibbo Technology Inc.

9F-3, No.31, Lane 169, Kang-Ning St., Hsi-Chih, New Taipei City, Taiwan 22180

Phone: 886-2-26925443 Email: sales@tibbo.com Web: tibbo.com

Tibbit Module

