



Tibbit Module

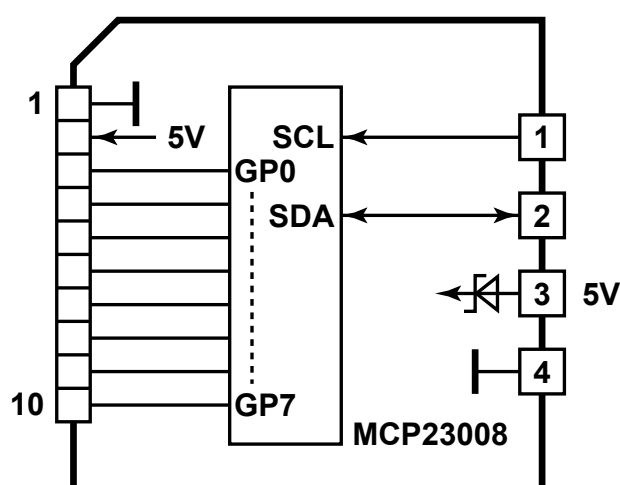
#41



C1

8-bit port (supplied with 200mm cable)

8-bit port (supplied with 200mm cable).



Form: C1

Power:

- 5V - Consumes 40mA

Mates with: #00_3

Details

This Tibbit is based on the MCP23008 8-bit port expander IC from Microchip. Refer to Microchip datasheet for operation details.

This C1 device requires the Tibbit #00-3 to be installed in the neighboring "M" Tibbit socket.

To simplify wiring, Tibbit #41 is supplied with a 200mm WAS-P044 cable.

Sample project

The use of this Tibbit is illustrated by a Tibbo BASIC test project. You can find it here:

<https://github.com/tibbotech/CA-Test-Tibbit-41>.

© 2017 Tibbo Technology Inc.

9F-3, No.31, Lane 169, Kang-Ning St., Hsi-Chih, New Taipei City, Taiwan 22180

Phone: 886-2-26925443 Email: sales@tibbo.com Web: tibbo.com

Tibbit Module

