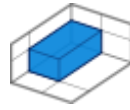




# Tibbit Module

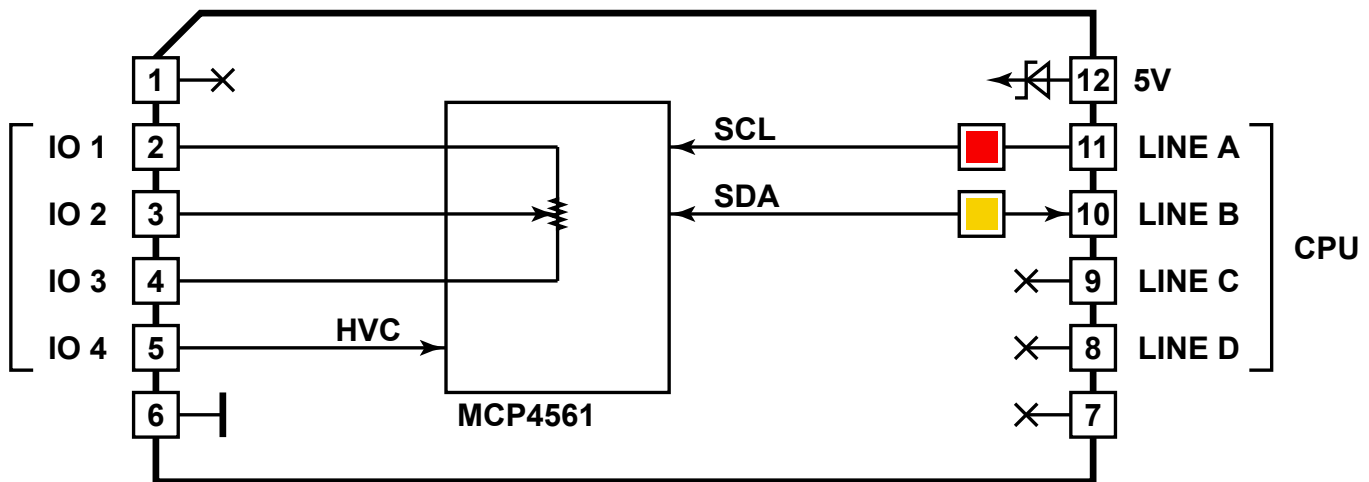
## #40<sub>2</sub>



M1S

Digital potentiometer, 10KOhm

Digital potentiometer, 10KOhm, 8-bit resolution.



**Form:** M1S

**Power:**

- 5V - Consumes 10mA

**Mates with:** #19, #20, #21

### Details

The Tibbit is based on the MCP4561 digital POT IC from Microchip. This IC has an 8-bit resolution. Refer to Microchip datasheet for operation details.

### LEDs

There is one red and one yellow LED. The red LED is connected to the SCL line of the I2C interface, the yellow LED — to the SDA line.

## Sample project

The use of this Tibbit is illustrated by a Tibbo BASIC test project. You can find it here:

<https://github.com/tibbotech/CA-Test-Tibbit-40>.

© 2017 Tibbo Technology Inc.

9F-3, No.31, Lane 169, Kang-Ning St., Hsi-Chih, New Taipei City, Taiwan 22180

Phone: 886-2-26925443    Email: sales@tibbo.com    Web: tibbo.com

Tibbit Module

