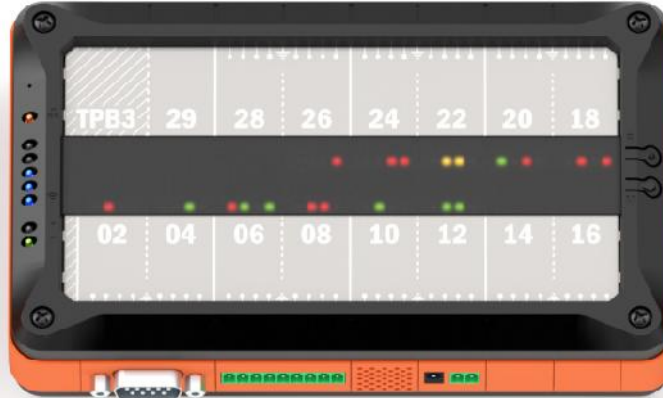
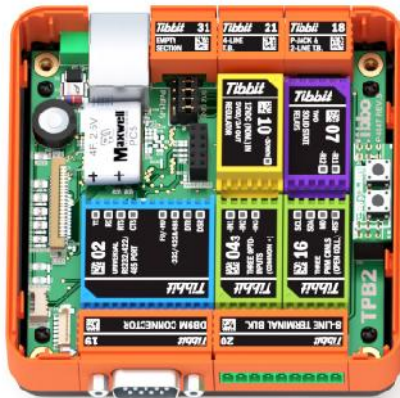


# Tibbo Project System

Take What You Need. Leave Out What You



## Meet the Tibbo Project System



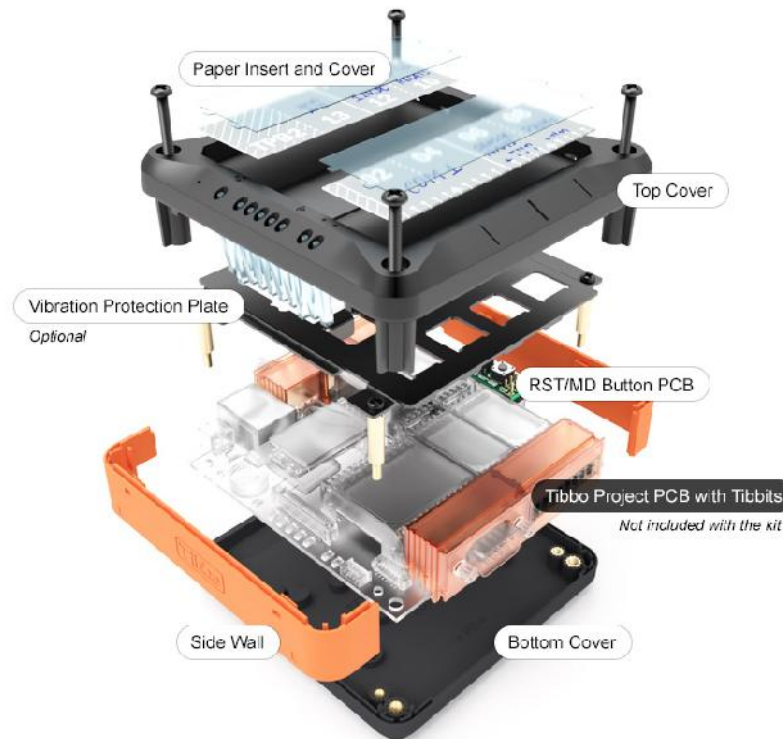
What is Tibbo Project System (TPS)?

# Tibbo Project System

Take What You Need. Leave Out What You



## Tibbo Project System Concept & Structure



**Tibbo**  
TECHNOLOGY

# Tibbo Project System

Take What You Need. Leave Out What You



## TPP

Tibbo Project PCB

- T1000 core
- Ethernet
- Internal Flash
- Buzzer
- LED



+

## TIBBITS

Power, PoE, COM,  
Weigand, DAC, ADC,  
temp sensor and  
more...



+

## TPB

Tibbo Project Box

Optional LCD and  
Keypad



=

## Your Unique Product



**Tibbo**  
TECHNOLOGY

# Tibbo Project System

Take What You Need. Leave Out What You



Start with a Tibbo Project PCB



Add Tibbo Modules & Connectors



Plug in the GA1000 Wi-Fi Add-on



Now the Top Cover, and your Product is Ready



Secure with the Vibration Protection Plate



Assemble into the Bottom Cover

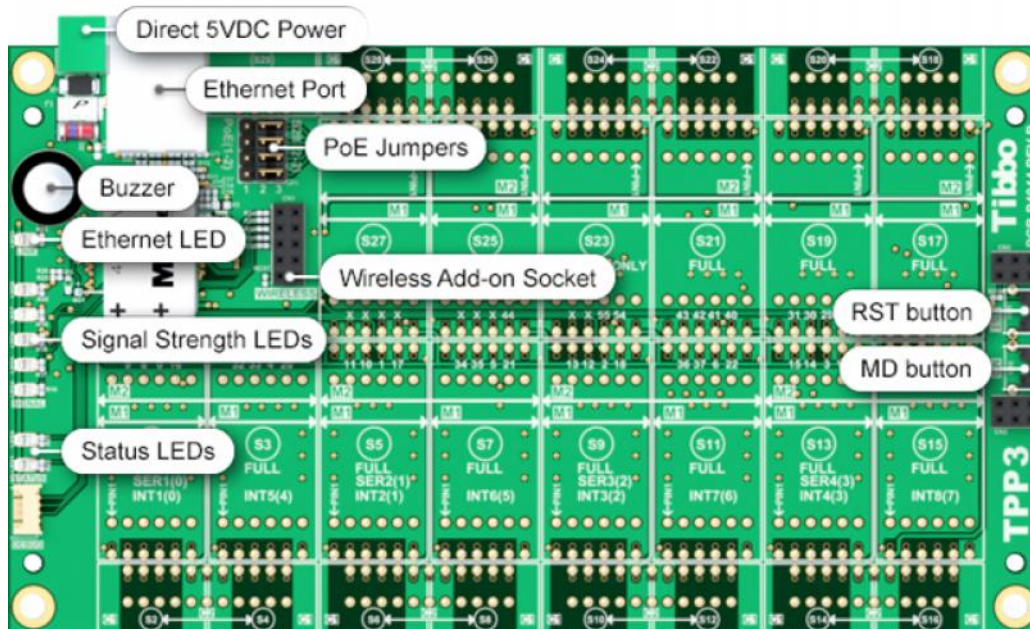
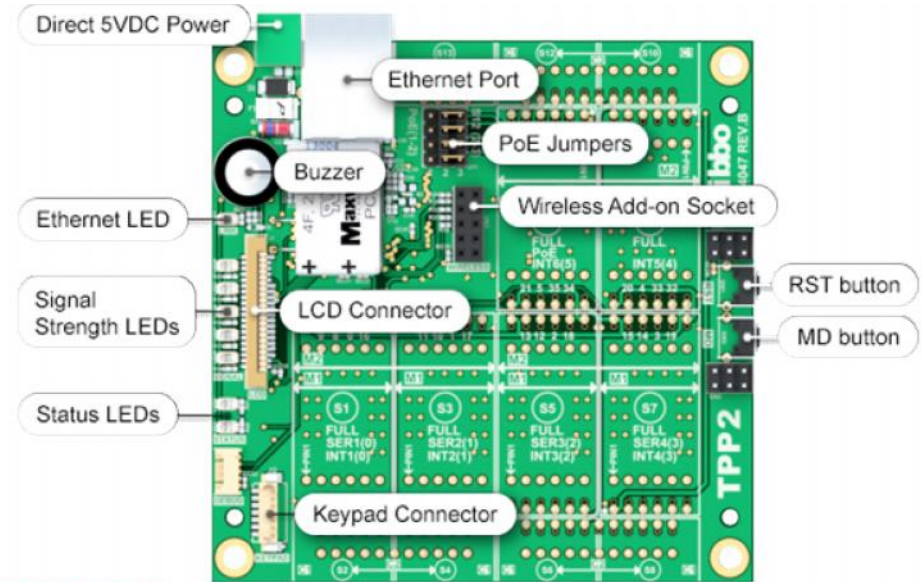


# Tibbo Project System

Take What You Need. Leave Out What You



## Tibbo Project PCB TPP2 / TPP3

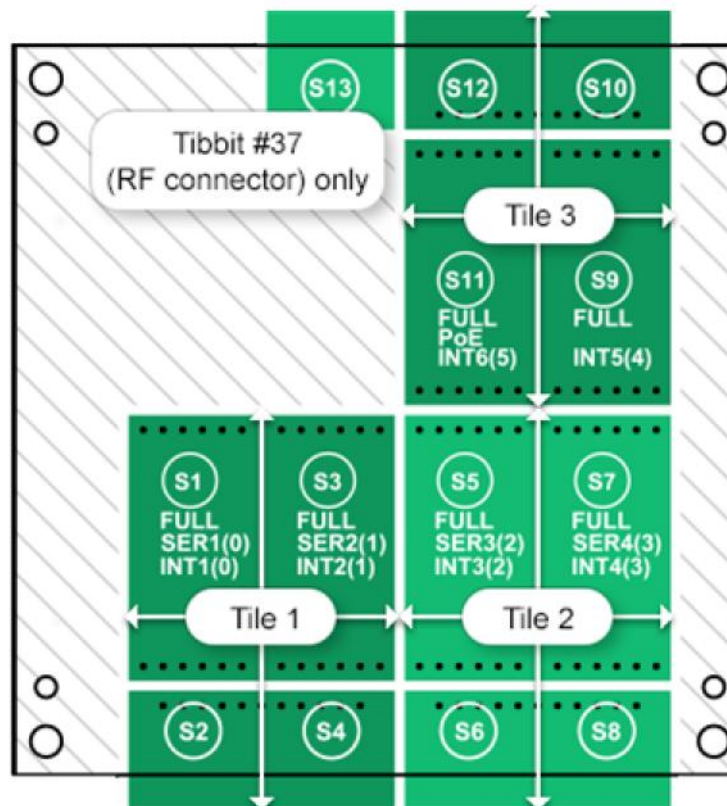


# Tibbo Project System

Take What You Need. Leave Out What You



## Tiles (TPP2)

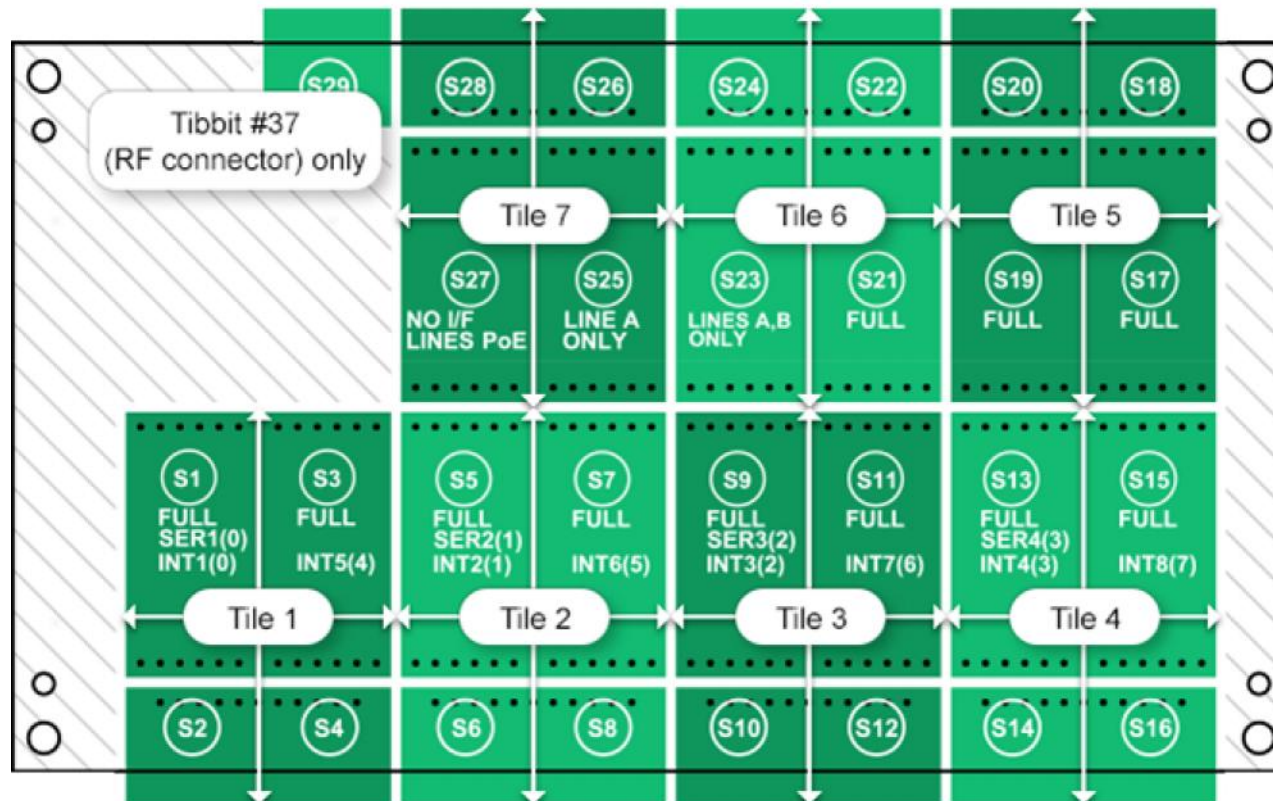


# Tibbo Project System

Take What You Need. Leave Out What You



## Tiles (TPP3)



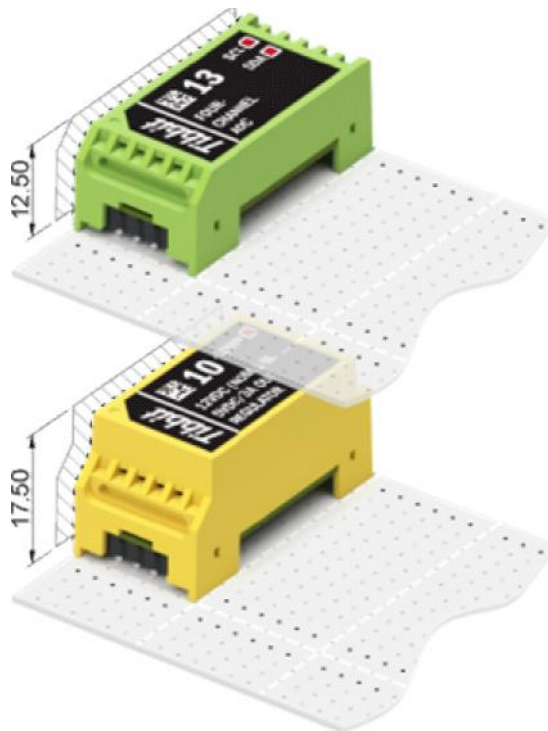


# Tibbo Project System

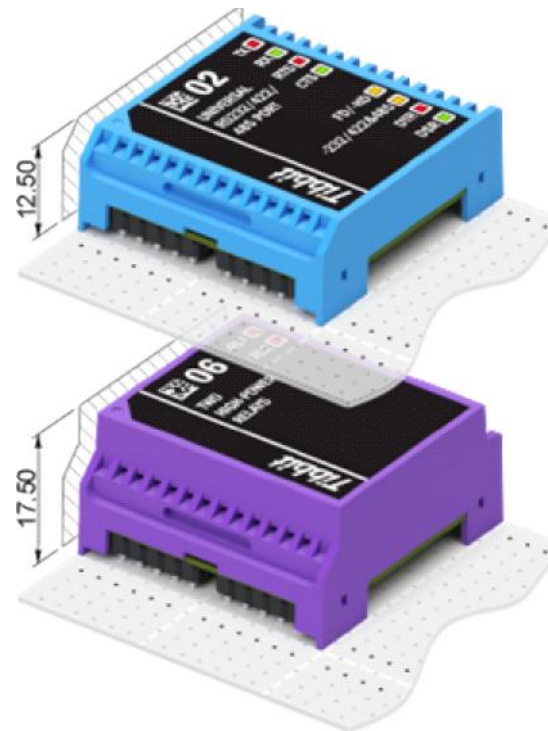
Take What You Need. Leave Out What You



M1 "Narrow" Module



M2 "Wide" module





# Tibbo Project System

Take What You Need. Leave Out What You



## Color coded Tibbit modules



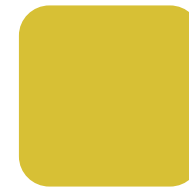
Input



Output



Input  
+  
Output



Power



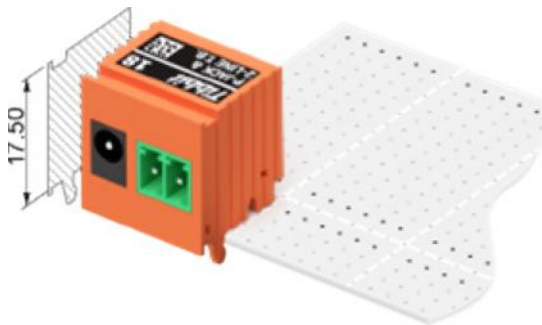
Blank

# Tibbo Project System

Take What You Need. Leave Out What You



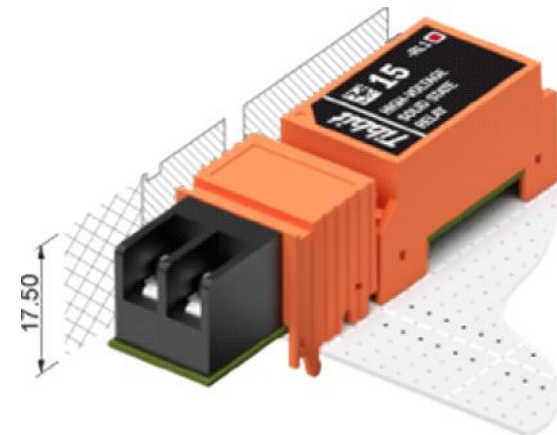
C1 "Narrow"  
connector



C2 "Wide"  
connector

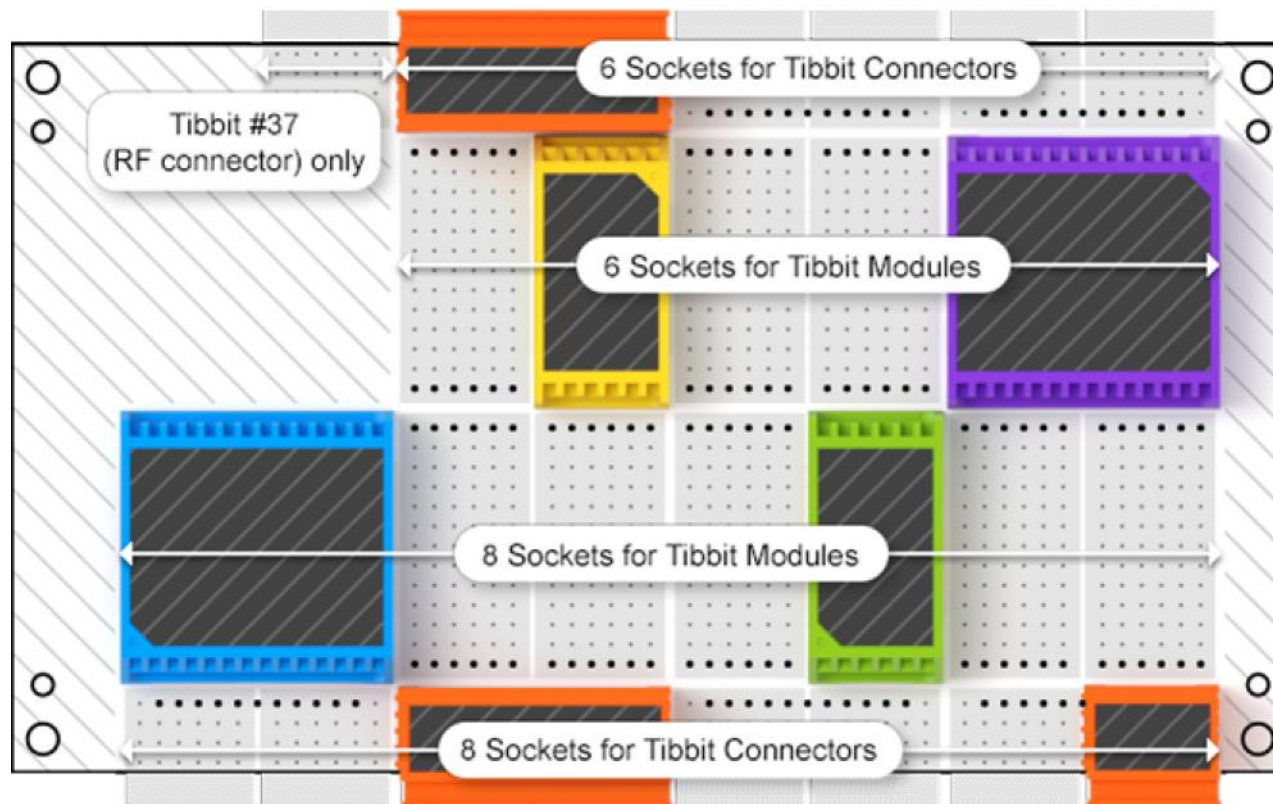


C1 "Hybrid"  
connector



# Tibbo Project System

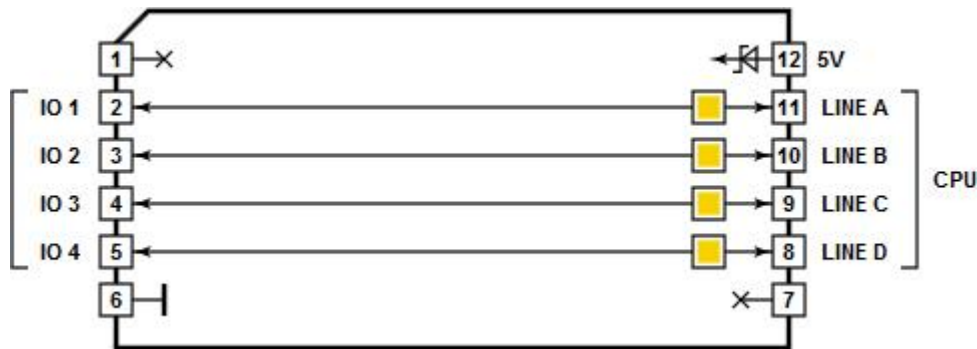
Take What You Need. Leave Out What You






# Tibbo Project System

Take What You Need. Leave Out What You




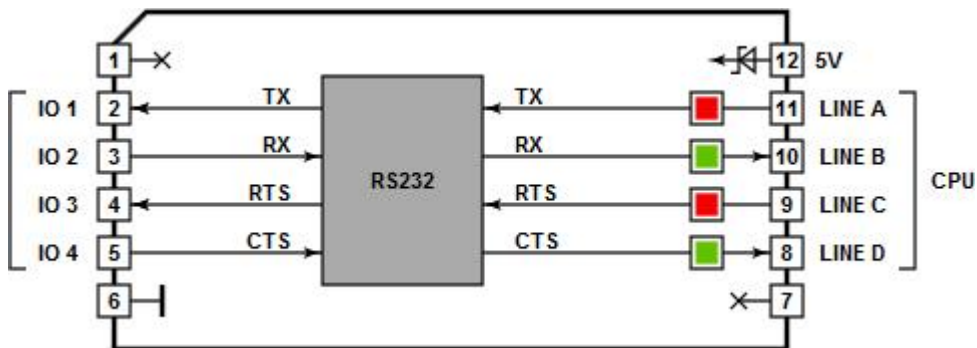
**Tibbit**



**001**

FOUR DIRECT I/O LINES

- LN1 
- LN2 
- LN3 
- LN4 



**Tibbit**



**01**

FOUR-LINE RS232 PORT

- TX 
- RX 
- RTS 
- CTS 

# Tibbo Project System

Take What You Need. Leave Out What You



- TPB2
- 2 paper inserts
- 2 transparent insert covers
- LED light guide
- RST/MD buttons PCB
- DIN rail kit
- Vibration protection kit (Optional)

- TPB3
- 2 paper inserts
- 2 transparent insert covers
- LED light guide
- RST/MD buttons PCB
- 2 DIN rail kit
- Vibration protection kit (Optional)



- TPB2L
- 320\*240 3.5" TFT LCD
- 4 button sensor keypad
- LED light guide
- RST/MD buttons PCB
- DIN rail kit
- Vibration protection kit (Optional)

# Tibbo Project System

Take What You Need. Leave Out What You



Take What You Need.  
Leave Out What You Don't.

- Flexibility
- Efficiency
- Expandable



**Tibbo**  
TECHNOLOGY