



Alvium 1800 C-811c

- IMX546 CMOS sensor
- ALVIUM image processing
- MIPI CSI-2 interface
- Various hardware options

Hardware option: Open Housing C-Mount

Alvium 1800 C – High-performance camera modules for embedded vision

Machine vision sensors for embedded system developers

Alvium 1800 C-811 with Sony IMX546 runs 59.0 frames per second at 8.1 MP resolution.

The powerful Alvium 1800 C MIPI CSI-2 camera series gives embedded system developers access to Sony's high-performance image sensors popular in the machine vision industry. These sensors with resolutions up to 20 megapixels deliver excellent image quality and up to twice the frame rates compared to similar Alvium 1500 C models.

To operate Alvium CSI-2 cameras on your vision system, Allied Vision provides different access modes: - **GenICam for CSI-2 Access** controls the camera by GenICam features, using the Alvium CSI-2 driver and CSI-2 transport layer (TL) directly. Currently, Alvium 1800 C-234, C-235, C-500, C-507, C-511, C-1236, and C-2050 are supported. Please find FAQs and installation instructions in the [Getting Started with GenICam for CSI-2](#) application note. - **Direct Register Access (DRA)** to control the cameras via registers for advanced users. - **Video4Linux2 Access** allows to control the cameras via established V4L2 API and applications like GStreamer and OpenCV. Open-source CSI-2 drivers are available on [GitHub](#) for different boards and system on chips (SoCs).

In addition to lens mount and housing options, see [Customization and OEM Solutions webpage](#) for additional options.

Specifications

Product code	15890
Interface	MIPI CSI-2, up to 4 lanes
Resolution	2848 (H) × 2848 (V)
Spectral range	300 to 1100 nm
Sensor	Sony IMX546
Sensor type	CMOS
Shutter mode	Global shutter
Sensor size	Type 2/3
Pixel size	2.74 μm × 2.74 μm
Lens mount	C-Mount
Optical Filter	Type Hoya C5000 IR cut filter
Max. frame rate at full resolution	59 fps using 4 lanes, RAW8 (GREY)
ADC	12 Bit
Image buffer (RAM)	256 KByte
Non-volatile memory (Flash)	1024 KByte

Output

Bit depth	12-bit Bit
YUV color pixel formats	YUV422 8-bit (UYVY) [MIPI CSI-2 (FOURCC)]
RGB color pixel formats	RBG888 (RGB3) [MIPI CSI-2 (FOURCC)]
Raw pixel formats	RAW8 (GREY), RAW10 (Y10), RAW12 (Y12) [MIPI CSI-2 (FOURCC)]

General purpose inputs/outputs (GPIOs)

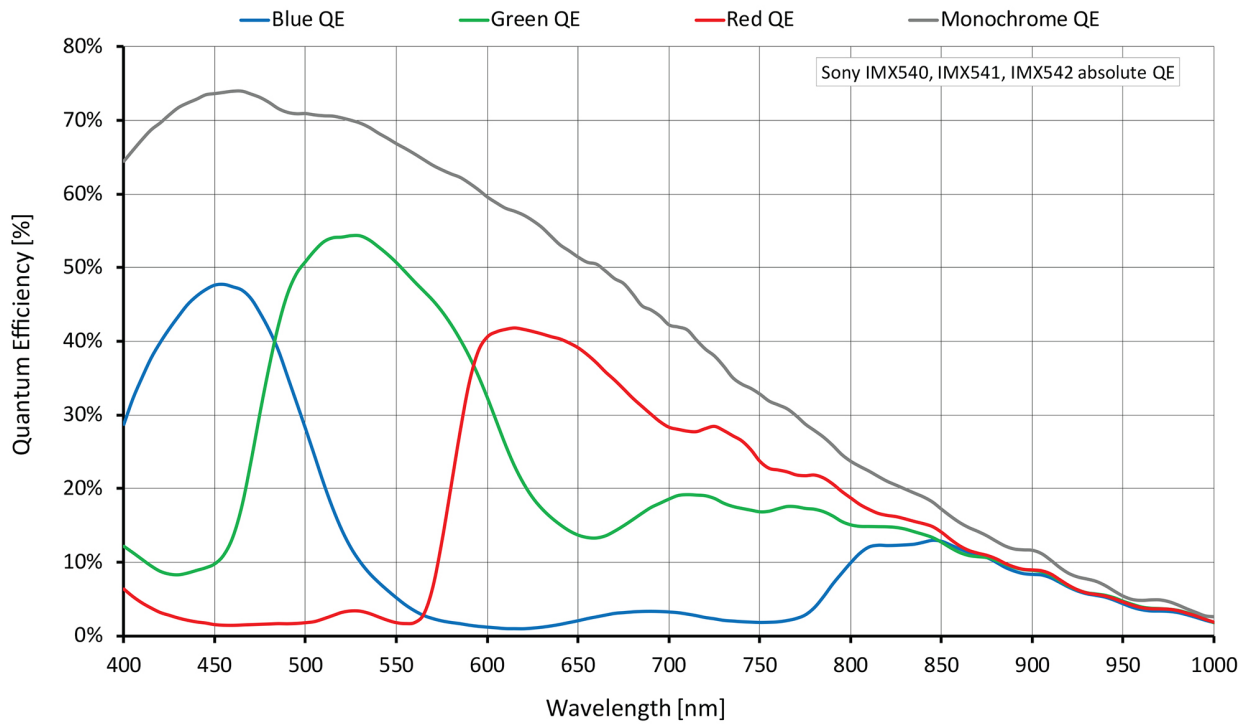
TTL I/Os	2 programmable GPIOs
----------	----------------------

Operating conditions/dimensions

Operating temperature	-20 °C to +65 °C (housing)
Power requirements (DC)	5 VDC over MIPI CSI-2
Power consumption	Typical: 3.1 W

Mass	40 g
Body dimensions (L × W × H in mm)	26 × 29 × 29

Quantum efficiency



Features

Image control: Auto

- Auto exposure
- Auto gain
- Auto white balance (color models)

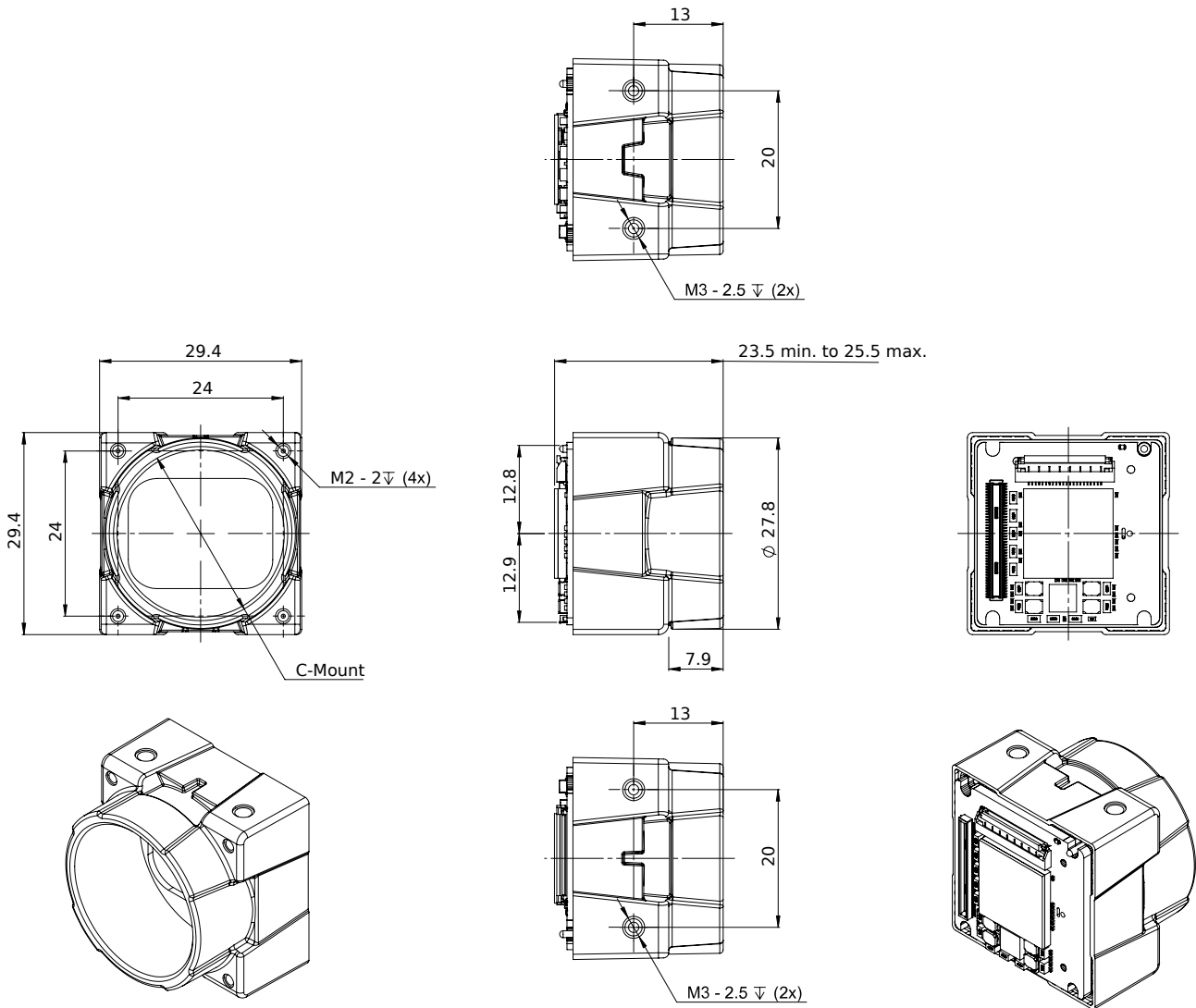
Image control: Other

- Black level
- Color transformation (incl. hue, saturation; color models)
- De-Bayering up to 5×5 (color models)
- DPC (defect pixel correction)
- FPNC (fixed pattern noise correction)
- Gamma
- Reverse X/Y
- ROI (region of interest)

Camera control

- Acquisition frame rate
- Firmware update in the field
- I/O and trigger control
- Temperature monitoring

Technical drawing





Authorized Distributor

wldsystems.com

sales@wldsystems.com

800-548-2319

919-545-2500

220 Chatham Business Drive
Pittsboro, NC 27312