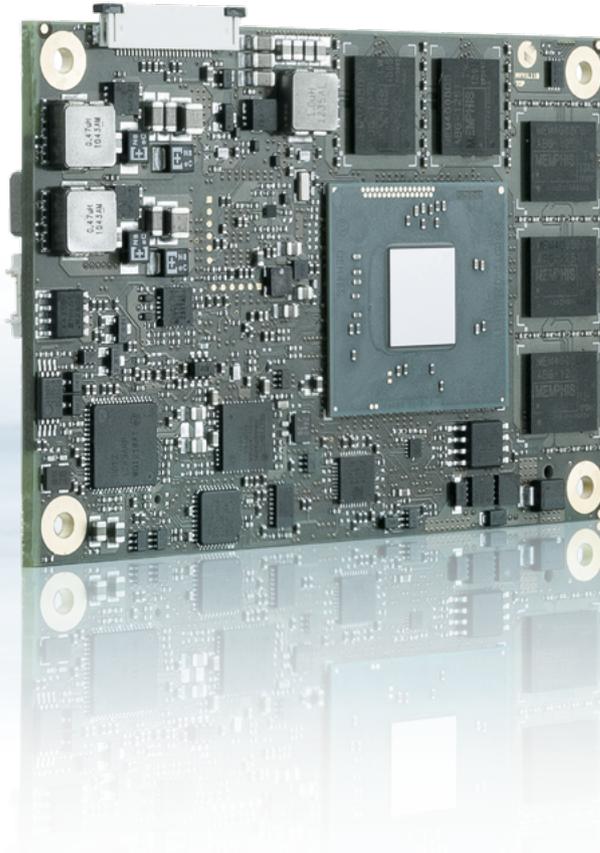


COMe-mBT10



COM Express® mini Type 10 with Intel Atom® E3800 & Celeron® series

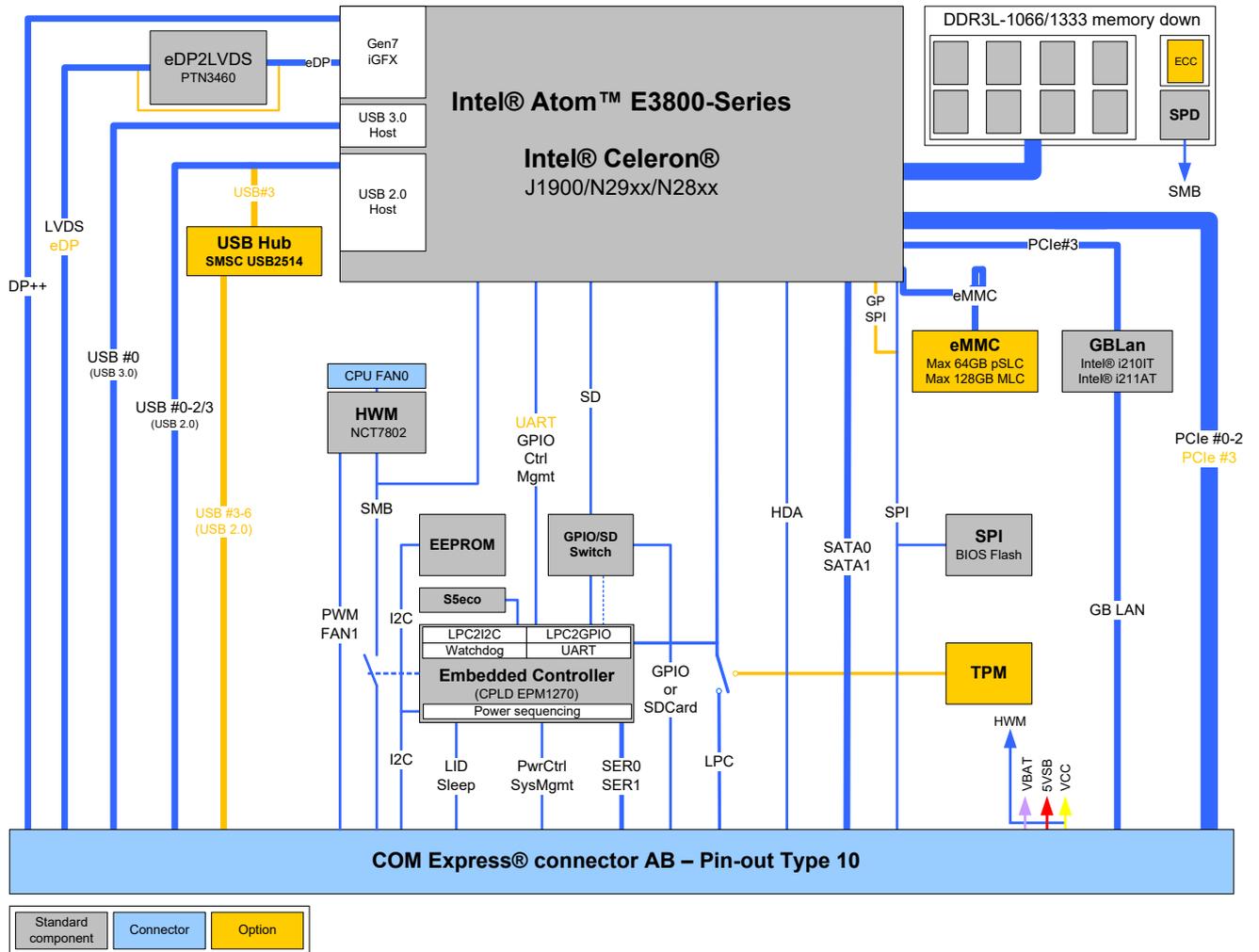
- ▶ Intel Atom® E3800 & Celeron® series
- ▶ Up to 4 GByte DDR3L memory down (ECC optional)
- ▶ 1x USB 3.0/2.0, up to 7x USB 2.0, eMMC Flash, 2x SATA
- ▶ Industrial grade temperature

POSSIBILITIES START HERE

▶ TECHNICAL INFORMATION

COMPLIANCE	COM Express® mini, Pin-out Type 10
DIMENSIONS (H x W)	84 x 55 mm
CPU	Intel Atom® E3845, Intel Atom® E3827, Intel Atom® E3826, Intel Atom® E3825, Intel Atom® E3815, Intel® Celeron® J1900, Intel® Celeron® N2920, Intel® Celeron® N2930, Intel® Celeron® N2807
CHIPSET	-
MAIN MEMORY	Up to 4 GByte DDR3L-1333 memory down (ECC optional)
GRAPHICS CONTROLLER	Intel® HD Graphics (Gen7)
ETHERNET CONTROLLER	Intel® I210IT / I211AT
ETHERNET	10/100/1000 MBit Ethernet
STORAGE	2x SATA 3Gb/s, SDIO Interface (shared with GPIO)
FLASH ONBOARD	8 - 128 GByte eMMC
PCI EXPRESS®	3x PCIe x1
PANEL SIGNAL	DDI: DP++, LVDS: Single Channel 18/24bit or eDP
USB	1x USB 3.0 (incl. USB 2.0), 3x USB 2.0 from CPU, 3x USB 2.0 from USB Hub on 34006, (option on 34007)
SERIAL	2x serial interface (RX/TX only)
AUDIO	Intel® High Definition Audio
COMMON FEATURES	SPI, LPC, SMB, Fast I ² C, Staged Watchdog, RTC, MARS
BIOS	Phoenix Secure Core UEFI
HUMIDITY	93 % relative Humidity at 40 °C, non-condensing (according to IEC 60068-2-78)
OPTIONS	1x PCIe x1 additional w/o onboard LAN, Trusted Platform Module TPM 1.2, ECC memory, eMMC Flash onboard, eDP instead of LVDS, General Purpose SPI instead of Boot SPI
POWER MANAGEMENT	ACPI, S5 Eco
POWER SUPPLY	4.75 V – 20 V Wide Range, Single Supply Power
SPECIAL FEATURES	POSCAP capacitors, GPIO/SDIO Switch, General Purpose SPI optional
OPERATING SYSTEM	Windows® 8, Windows® 7, Linux, VxWorks
TEMPERATURE	Commercial temperature: 0 °C to +60 °C operating, -30 °C to +85 °C non-operating Industrial temperature: -40 °C to +85 °C operating, -40 °C to +85 °C non-operating

► BLOCKDIAGRAM



► GLOBAL HEADQUARTERS

Kontron Europe GmbH

Gutenbergstraße 2
85737 Ismaning, Germany
Tel.: +49 821 4086-0
Fax: +49 821 4086-111
info@kontron.com

www.kontron.com