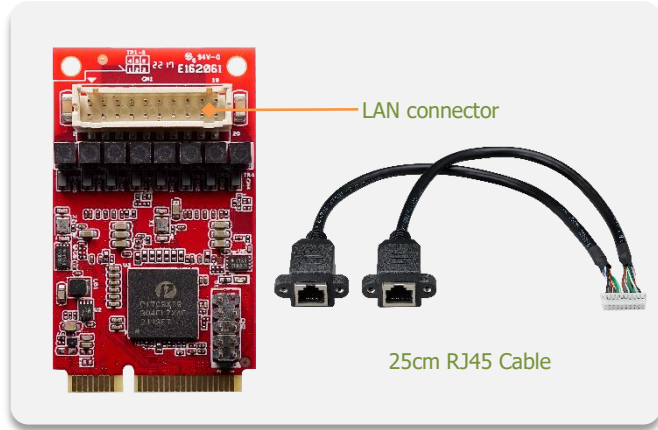


EMPL-22N1

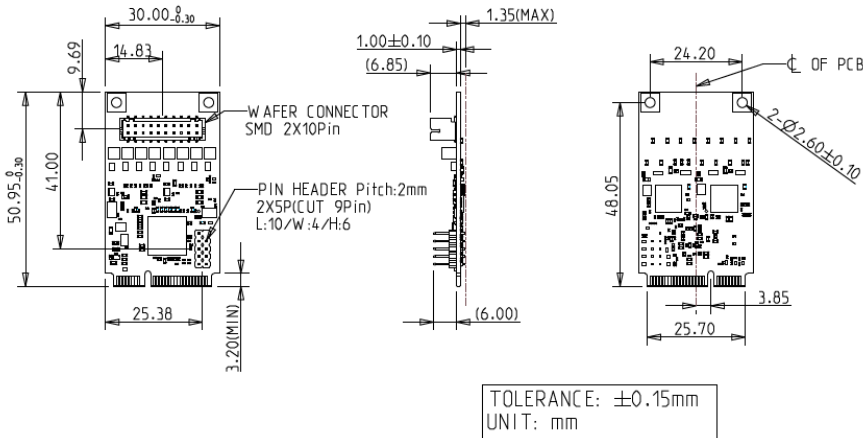
mPCIe to Dual 2.5GbE LAN Module



Features

- Dual 2.5GbE LAN ports
- Complies with EN61000-4-2 (ESD) Air-15kV, Contact-8kV
- Transformer on PCB for flexible cable design
- External LED indicator pin for speed 10/100/1000
- Optional Industrial Temperature (-40°C to +85°C) support
- 30μ" golden finger, 3-year warranty
- Industrial design, manufactured in innodisk Taiwan

Mechanical Drawing



Specifications

Form-Factor	mPCIe
Input I/F	PCI Express 2.1 x 1
Output I/F	Dual 2.5GbE LAN
Output Connector	RJ45 x 2
Power Consumption	MAX: 3.2043W (3.3V, 971mA)
Dimension (WxLxH)	29.85 x 50.8 x 9.35 mm
Temperature	Operation: STD: 0°C ~ +70°C. W/T: -40°C ~ +85°C Storage: -55°C ~ +95°C
Environment	Vibration: 5G @7~2000Hz, Shock: 50G @ 0.5ms
Notes	Please download driver from Intel official website. Windows: 10 (64bit), Linux (igc): kernel 5.x version
Limitations	*Linux kernel rebuild is needed (modify igc driver) if version < 5.16.18 *Not recommend used in VMware ESXi due to High Latency *Not support Intel vPro *The speed will be ≤ 1.2 Gbits/sec when using dual LAN at the same time.

Headquarters (Taiwan)

5F., No.237, Sec. 1, Datong Rd.,
Xizhi Dist., New Taipei City 221,
Taiwan

Tel: +886-2-7703-3000
Email: sales@innodisk.com

Branch Offices:

USA

usales@innodisk.com
+1-510-770-9421

Europe

eusales@innodisk.com
+31-40-3045-400

Japan

jpsales@innodisk.com
+81-3-6667-0161

China

sales_cn@innodisk.com
+86-755-21673689

www.innodisk.com

© 2023 Innodisk Corporation.
All right reserved. Specifications
are subject to change without
prior notice.

September 25, 2023

Order information

EMPL-22N1-C1 (Standard Temp.)

EMPL-22N1-W1 (Wide Temp.)

mPCIe to Dual 2.5GbE LAN Module



Authorized Distributor

www.wdlsystems.com

sales@wdlsystems.com

800-548-2319

919-545-2500

220 Chatham Business Drive
Pittsboro, NC 27312