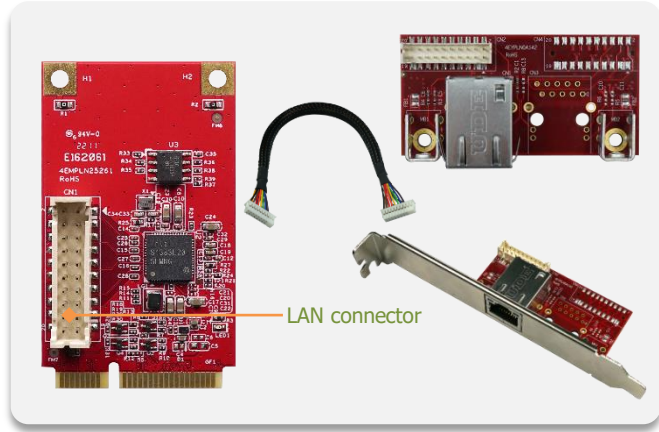


# EMPL-G1S1

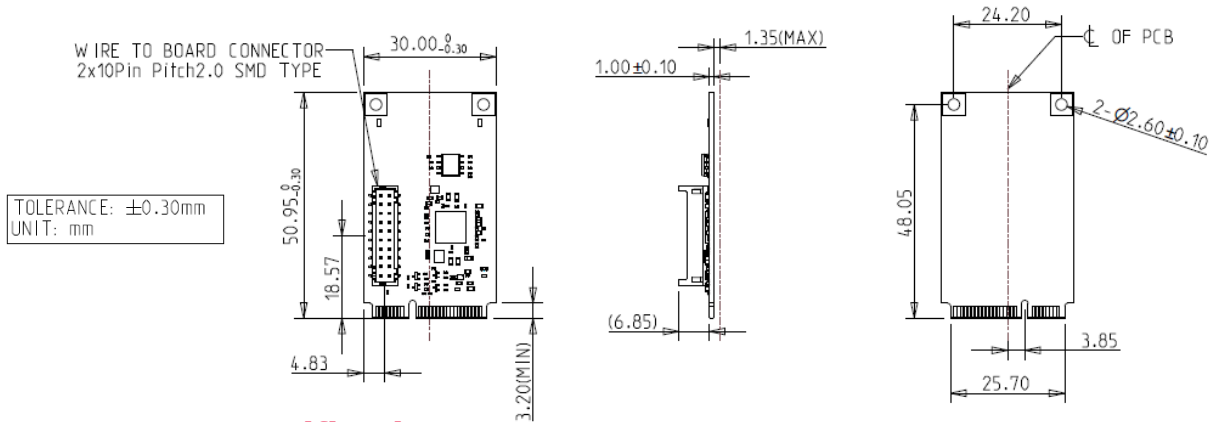
## mPCIe to single isolated GbE LAN module



### Features

- Single isolated GbE LAN ports
- Complies with EN61000-4-5 2kV Surge protection
- Complies with IEC 60950-1:2005 + A1: 2009 + A2:2013 2kV HiPOT protection
- Complies with EN61000-4-2 (ESD) Air-15kV, Contact-8kV
- Flexible daughter board with cable to fit into different system
- Optional terminal mounting hole or bracket for daughter board
- Optional Industrial Temperature (-40°C to +85°C) support
- 30μ" golden finger, 3-year warranty
- Industrial design, manufactured in innodisk Taiwan

### Mechanical Drawing



### Specifications

Form-Factor	mPCIe
Input I/F	PCI Express 2.1 x 1
Output I/F	GbE LAN
Output Connector	RJ45 x 1
Power Consumption	MAX: 1.326W (3.3V, 402mA)
Dimension (WxLxH)	Main Board: 30 x 50.9 x 9.2 mm Daughter Board: 59.5 x 30 x 17.32 mm
Temperature	Operation: STD: 0°C ~ +70°C. W/T: -40°C ~ +85°C Storage: -55°C ~ +95°C
Environment	Vibration: 5G @7~2000Hz, Shock: 50G @ 0.5ms
Notes	Please download driver from Intel official website. Windows: 10 (64bit), Linux (igc): kernel 5.x version i225-V only supports workstation OS Support Intel-vPro (i225-LM/i225-IT only)
Limitation	*Linux kernel rebuild is needed (modify igc driver) if version < 5.15

#### Headquarters (Taiwan)

5F., No.237, Sec. 1, Datong Rd.,  
Xizhi Dist., New Taipei City 221,  
Taiwan

Tel: +886-2-7703-3000  
Email: sales@innodisk.com

#### Branch Offices:

##### USA

usasales@innodisk.com  
+1-510-770-9421

##### Europe

eusales@innodisk.com  
+31-40-3045-400

##### Japan

jpsales@innodisk.com  
+81-3-6667-0161

##### China

sales\_cn@innodisk.com  
+86-755-2167-3689

#### [www.innodisk.com](http://www.innodisk.com)

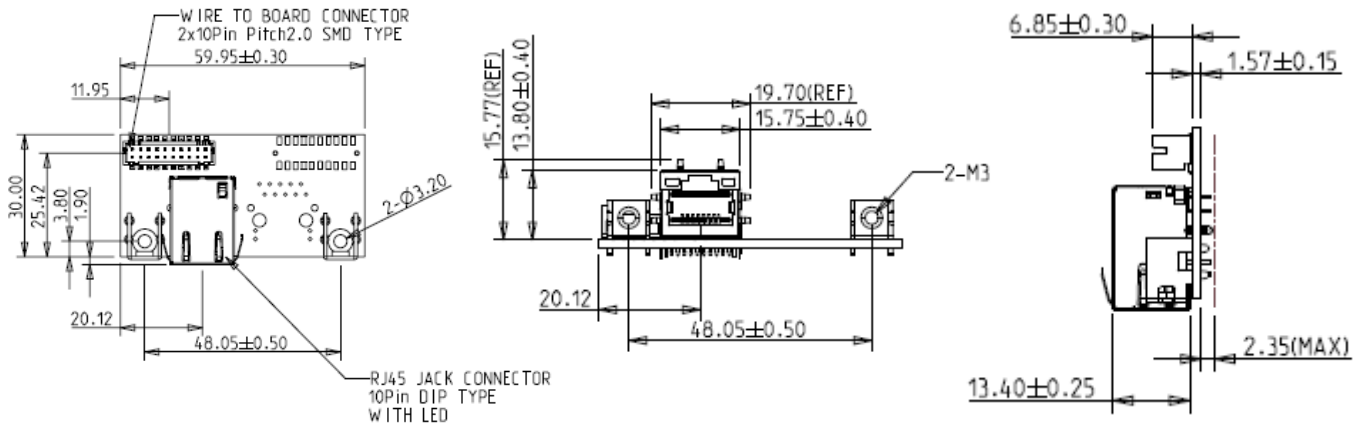
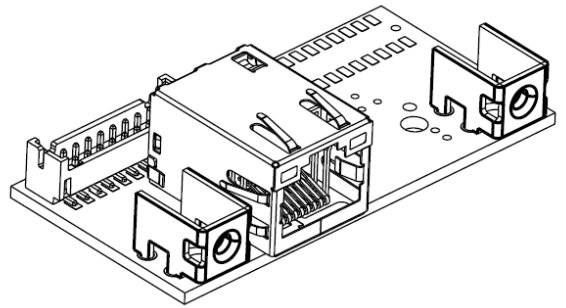
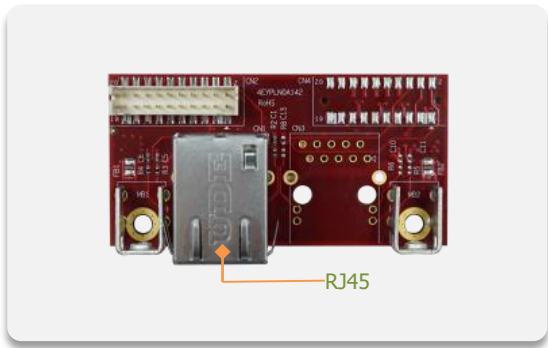
© 2022 Innodisk Corporation.  
All right reserved. Specifications  
are subject to change without  
prior notice.

June 15, 2022

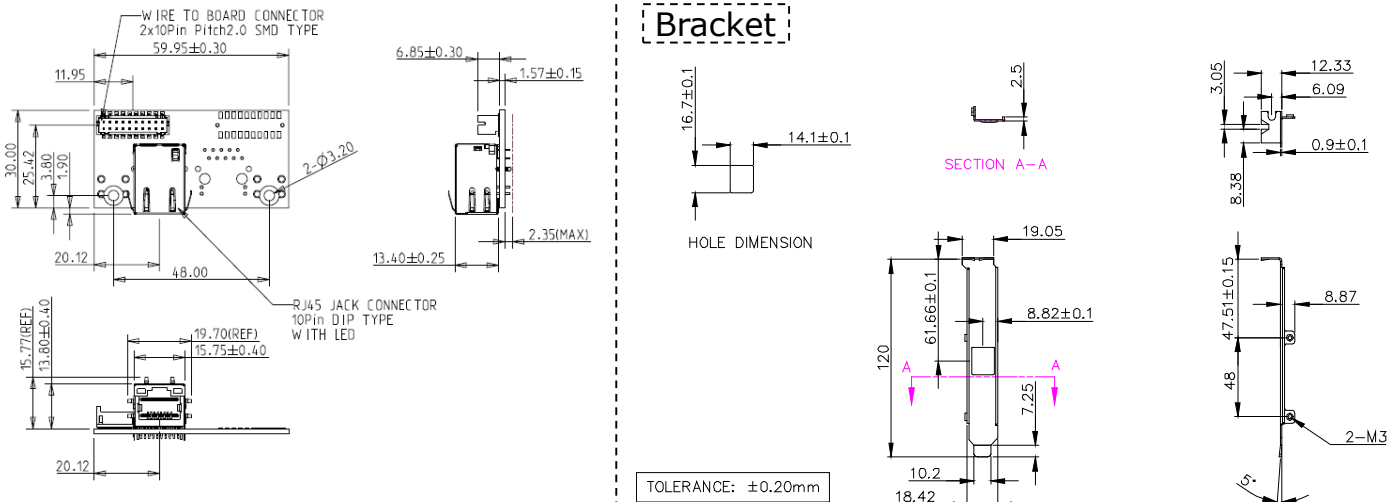
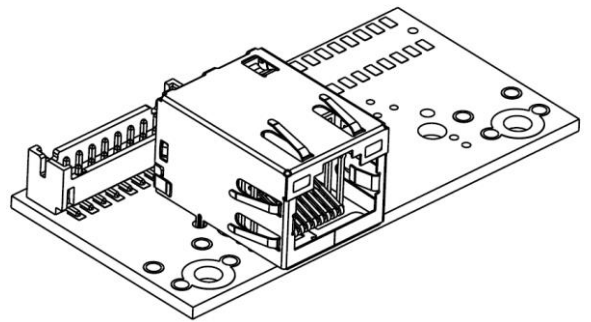
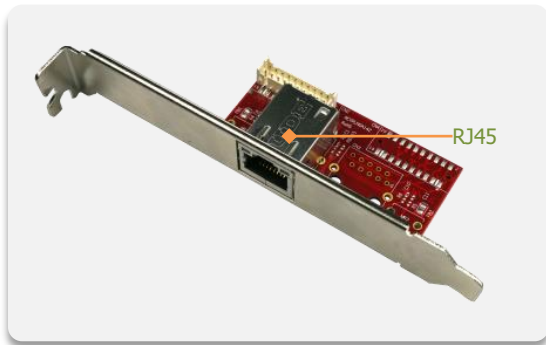
### Order information

- EMPL-G1S1-V1 (i225-V, Mounting hole, Standard Temp.)**
  - EMPL-G1S1-C1 (i225-LM, Mounting hole, Standard Temp.)**
  - EMPL-G1S1-W1 (i225-IT, Mounting hole, Wide Temp.)**
  - EMPL-G1S1-V2 (i225-V, Bracket, Standard Temp.)**
  - EMPL-G1S1-C2 (i225-LM, Bracket, Standard Temp.)**
  - EMPL-G1S1-W2 (i225-IT, Bracket, Wide Temp.)**
- mPCIe to single isolated GbE LAN Module

## EMPL-G1S1-C1/W1 Daughter Board and Mechanical Drawing



## EMPL-G1S1-C2/W2 Daughter Board and Mechanical Drawing





Authorized Distributor

[www.wdlsystems.com](http://www.wdlsystems.com)

[sales@wdlsystems.com](mailto:sales@wdlsystems.com)

800-548-2319

919-545-2500

220 Chatham Business Drive  
Pittsboro, NC 27312