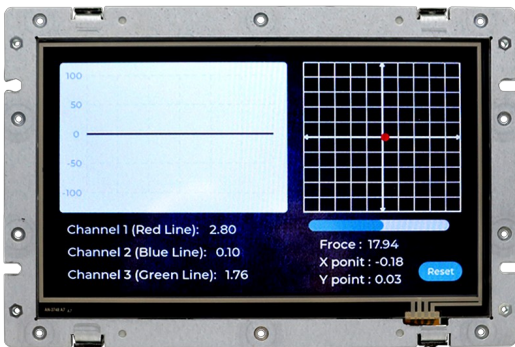


Features:



- DM&P Vortex86EX2 Processor, Master 533MHz/Slave 400MHz
- EtherCAT Master Core runs on dedicated CPU
- Hardware/Software Real-time
- 86Duino Integrated Development Environment (IDE)
- Up to 128 axes support for motion control
- 7-inch TFT 800×480 Resolution LCD with Restive touchscreen
- Internal Monitoring Hardware Information
- Operating Temperature -20 to +70°C/-40 to +85°C (Option)
- 3LAN/3USB/MicroUSB/VGA/MiniPCle/Arduino Pins

Specifications

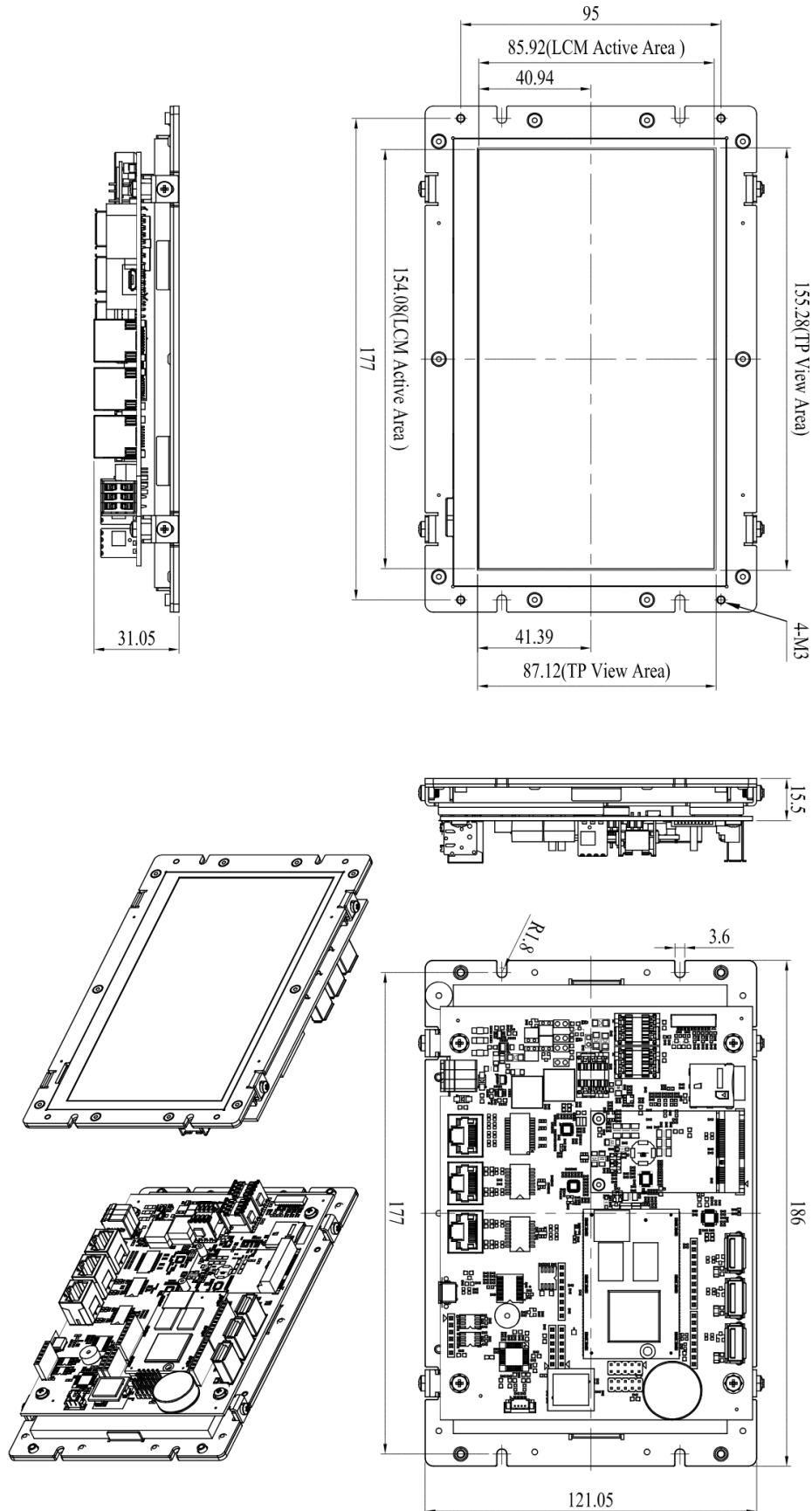
CPU	DM&P Vortex86EX2 Processor, Master 533MHz/Slave 400MHz	
Memory	512MB/1GB DDRIII Onboard	
Storage	32MB SPI Flash/2GB SLC eMMC	
LCD Display	7-inch TFT 800×480 Resolution LCD with Restive touchscreen	
LAN	1Gbps Ethernet RJ45 x1 10/100Mbps Ethernet RJ45 x2 for EtherCAT	
Expansion	MiniPCle x 1 with Micro SIM Card Holder	
I/O Connector	2.54mm 2-pin header for Power Connector 1.25mm 4-pin wafer for Line-Out Power DC Input/Output Connector x1 Micro USB (Type-B) x1 (Upload/Debug only) VGA Connector (10-pin) x1	1.25mm 4-pin header for EXT I2C TFT Driver Micro SIM Card Holder x1 MiniPCle slot x1 USB 2.0 Host x3 RJ45 x3
Arduino Compatible Connector	2.54mm 10-pin female header for I2C0, MCM, GPIO 2.54mm 8-pin female header for MCM, GPIO, COM1 (TTL) 2.54mm 8-pin female header for Power source 2.54mm 6-pin female header for ADC/GPIO 2.54mm 6-pin female header for GPIO, VCC and GND	2.54mm 6-pin female header for CAN0 and CAN1 bus 2.54mm 10-pin header for SPI0 bus, RESET-, GPIO and I2C1 2.54mm 10-pin header for SPI1 bus, RESET-, GPIO and RS485 function (COM4)
Protocol	EtherCAT (EtherCAT Master Functions: PDO, CoE, DC, Cable-redundancy, etc.)	
Ethernet Standard	IEEE 802.3	
Control Cycle Time	125 μs (min.)	
Power Connector	6-pin Power Input /Output	
Power Requirement	+19 to +50VDC Power Input (Typ. +24VDC)	
Power Consumption	8W	
Operating Temperature	-20 to +70°C/-40 to +85°C (Option)	
Dimension	186 x 121.05 x 31.05 mm	
Weight	520 g	
Internal Monitoring	Temperature, Voltage, Current	
Software Support	86Duino Coding IDE 500+ (The environment is written in Java and based on Arduino IDE, Processing, DJGPP, and other open source software)	

Ordering Information

QEC-M-070T	Vortex86EX2 Processor 533MHz-based EtherCAT Master System with 7-inch LCD
QEC-M-070TP	Vortex86EX2 Processor 533MHz-based EtherCAT Master System with 7-inch LCD/PoE

* For detailed ordering information, please contact our sales staff or view the user manual.

Dimension





Authorized Distributor

wdsystems.com

sales@wdsystems.com

800-548-2319

919-545-2500

220 Chatham Business Drive
Pittsboro, NC 27312