

Features:

- Built-in Isolated 16 channel Digital Input
- DI Load Voltage Rating Up to 56VDC
- 2500 Vrms Isolation Voltage Protection
- Internal Monitoring Hardware Information
- Support Digital Input Wire-break detection
- EtherCAT Conformance test tool verified
- Operating Temperature -20 to +70 °C

Specifications

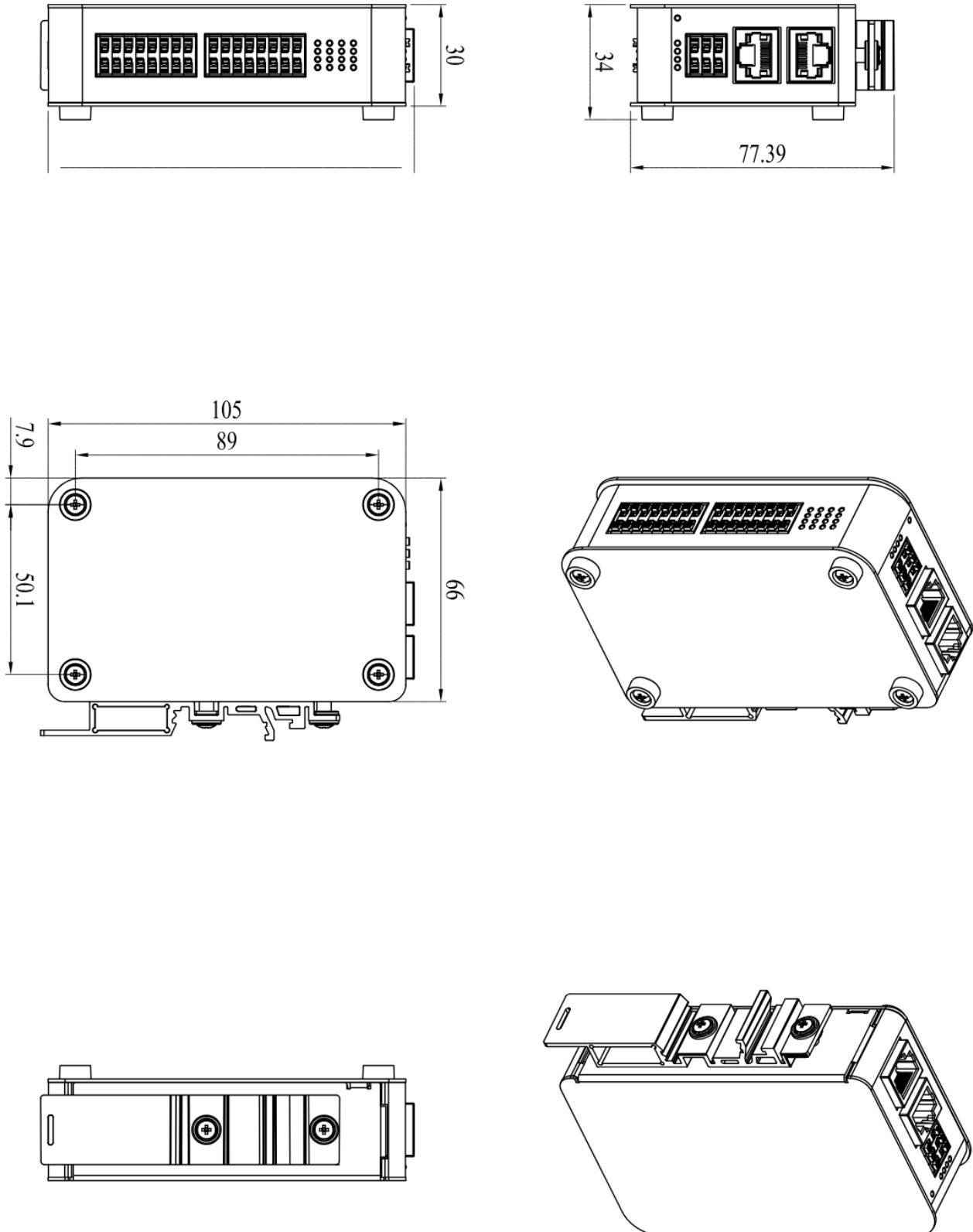
Digital Input	
Channel	16 (Isolated Channel)
Input/Output Type	Sink
DI - Frequency	500 Hz
DI - Delay	Propagation delay time: 150 ns
DI - Load Voltage	Max. 56VDC
DI - Wire-break detection	Option
General	
Connector	16-channel Push-in Terminal (Euroblock)
Connector Color	Positive: Red, Negative: Black
Protocol	EtherCAT (RJ-45 x 2)
Ethernet Standard	IEEE 802.3
Transmission Rate	100Mbps
Power Connector	6-pin Power Input/Output
Power Requirement	+19 to +50VDC Power Input (Typ. +24VDC@100mA)
Power Consumption	2.4 W
LED Indicator	PWR, RUN, LINK, ERROR, DI status
Certifications	CE, FCC, VCCI
Environment	
Isolation Protection, Optocoupler	2500 Vrms
Operating Temperature	-20 to +70 °C
Hardware	
Dimension	105 x 66 x 30mm (Without DIN-Rail)
Weight	245 g
Installation	DIN rail
Internal Monitoring	Temperature, Voltage, Current
Component Certifications	IEC 61131-2, DIN VDE V 0884-11, UL 1577, IEC 60950-1, IEC 62368-1, IEC 61010-1 and GB 4943.1-2011

Ordering Information

QEC-R00DF0S-N	EtherCAT Slave 16-ch Digital Input Module
QEC-R00DF0S-C	EtherCAT Slave 16-ch Digital Input Module (board with coating)
QEC-R11DF0D-N	EtherCAT Slave 16-ch Digital Input Module/Wire-break detection/PoE

* For detailed ordering information, please contact our sales staff or view the user manual.

Dimension





Authorized Distributor

wdsystems.com

sales@wdsystems.com

800-548-2319

919-545-2500

220 Chatham Business Drive
Pittsboro, NC 27312