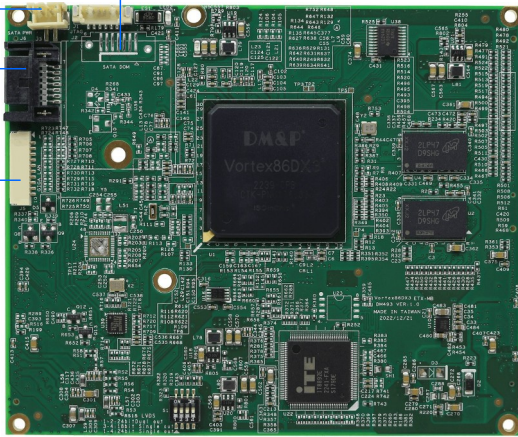


VDX3-ETX-V2

1GB/4USB/2COM/VGA/LVDS/
LAN/AUDIO/IDE/I²C

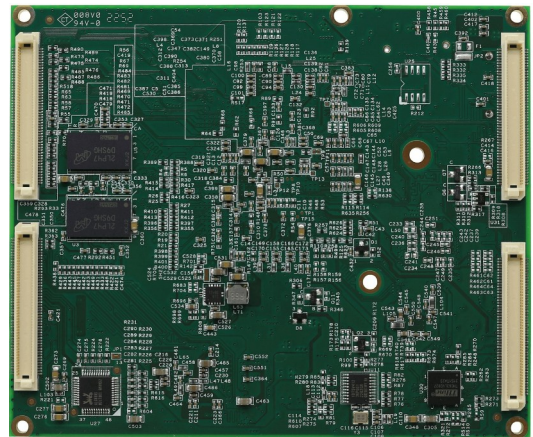
SATA DOM

SATA DOM
Power Connector
SATA DOM
(Horizontal Type
- Optional)
Giga LAN



X2

X1



X4

X3

Specification

Processor	DM&P SoC CPU Vortex86DX3 - 1GHz L1: 16K I-Cache, 32K D-Cache, L2: 512KB Cache	Operating Temp.	-20°C ~ +70°C -40°C ~ +85°C (Optional)
RAM	512MB/1GB/2GB DDR3 Onboard	OS Support	DOS, Windows CE7.0/XP Professional/ Embedded Standard(XPE)/Embedded Standard 7 POS Ready (WePOS), Embedded Linux, X-Unix, QNX, Vxworks, and FreeBSD
BIOS	AMIBIOS		
Watchdog Timer	Software programmable from 30.5µs sec. to 512 sec. x 2 sets		
Display	Integrated 2D VGA chip with Dual Display Support (VGA + LVDS) Share 16MB to 256MB system memory 18/24-bit Single channel LVDS 24-bit Dual channel LVDS (Optional) VGA: Maximum resolution up to 1920x1080 LVDS(Single) Maximum resolution up to 1024x768 LVDS(Dual) Maximum resolution up to 1920x1080		
LAN	Realtek 8111H 10/100/1000Mbps (Default 10/100 mode)		
Audio	HD Audio		
PWM	None		
Optional Interface	None		
I/O interface	SATA x1 Enhanced IDE (UltraDMA-100/66/33) x1 Serial Port x2 USB (Ver 2.0) x4		
Connector	SATA 7-pin for SATA x1 1.25mm 10-pin box header for GbE x1		
Power Requirement	Single Voltage +5V@ 1.3A (Typical)		
Weight	110g		
Dimensions	95mm x 114mm (3.7 x 4.5 inches)		

Ordering Information

VDX3-ETX-53IS-V2

Vortex86DX3 ETX Module with 512MB DDR3
(800MHz, -10°C ~ +60°C)

VDX3-ETX-74IE-V2

Vortex86DX3 ETX Module with 1GB DDR3

VDX3-ETX-74IE-H-V2

Vortex86DX3 ETX Module with 1GB DDR3 and Horizontal SATA Connector

VDX3-ETX-75IE-V2

Vortex86DX3 ETX Module with 2GB DDR3

VDX3-ETX-75IE-H-V2

Vortex86DX3 ETX Module with 2GB DDR3 and Horizontal SATA Connector

VDX3-ETX-I-DEV

Carrier Board for VDX3-ETX Module

Heatspreader-ETX-D3T

2mm height heatspreader

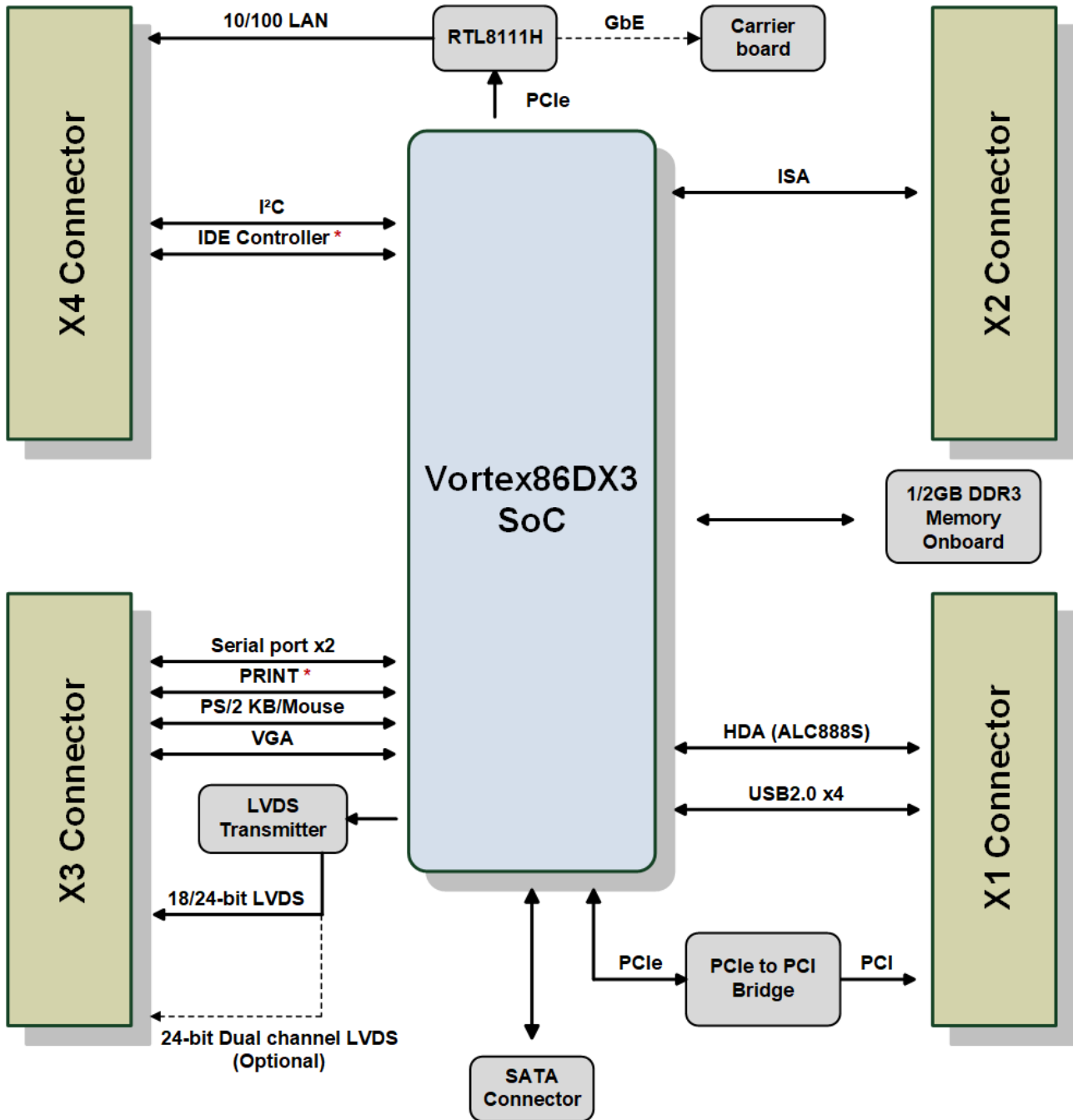
Heatsink-ETX-D3T

15mm height heatsink

VDX3-ETX-V2

1GB/4USB/2COM/VGA/LVDS/
LAN/AUDIO/IDE/I²C

Block Diagram





Authorized Distributor

wdsystems.com

sales@wdsystems.com

800-548-2319

919-545-2500

220 Chatham Business Drive
Pittsboro, NC 27312